

**VICTORIA PLUS SILENT VS MANUAL  
MANUEL VICTORIA PLUS SILENT VS  
MANUAL VICTORIA PLUS SILENT VS  
MANUALE VICTORIA PLUS SILENT VS  
HANDBUCH VICTORIA PLUS SILENT VS  
MANUAL VICTORIA PLUS SILENT VS**

---



SELF-PRIMING PUMP FOR SWIMMING POOLS  
POMPES AUTOAMORÇANTES POUR PISCINES  
BOMBAS AUTOASPIRANTES PARA PISCINAS  
POMPE AUTOASPIRANTI PER PISCINE  
SELBSTANSUGENDE PUMPEN FÜR POOLS  
BOMBAS AUTOASPIRANTES PARA PISCINAS

CE

**ASTRAL**POOL 

**VICTORIA PLUS SILENT VS**

<b>English - POOL PUMPS</b> <b>INSTALLATION AND GENERAL MAINTENANCE MANUAL .....</b>	<b>3</b>
<b>Français - POMPES POUR PISCINES</b> <b>MANUEL D'INSTALLATION ET MAINTENANCE GÉNÉRALE .....</b>	<b>13</b>
<b>Español - BOMBAS PARA PISCINAS</b> <b>MANUAL DE INSTALACIÓN Y MANTENIMIENTO GENERAL .....</b>	<b>23</b>
<b>Italiano - POMPE PER PISCINE</b> <b>MANUALE DI INSTALLAZIONE E MANUTENZIONE GENERALE .....</b>	<b>33</b>
<b>Deutsch - PUMPEN FÜR POOLS</b> <b>ALLGEMEINES INSTALLATIONS- UND WARTUNGSHANDBUCH .....</b>	<b>43</b>
<b>Português - BOMBAS PARA PISCINAS</b> <b>MANUAL DE INSTALAÇÃO E MANUTENÇÃO GERAL .....</b>	<b>53</b>

# VICTORIA PLUS SILENT VS PUMP

## GENERAL DESCRIPTION

The main characteristic of a variable speed pump is the possibility of modifying the working speed depending on usage needs.

As a general rule, the filtering process will be performed at low-speeds with the aim of taking advantage of its energy-saving characteristics, low noise level and better filtering quality. In accordance with these features, the right adjustment of the filtration times is required as the flow rate decreases when the pump works at low speeds.

The accessories of the pool will probably require the use of the pump to work. These elements can be very varied, and include cleaning systems, heat exchangers and chemical dosing systems. In most cases these devices can work correctly at low speeds. If this is not the case, you can increase the speed so that these units work properly.

In the event of performing chemical shock treatments or using cleaning products, it is suggested that high speeds be used. Filter backwash operations should always be performed at high speed.

In addition to the above, you should set the timer based on not only the operating time but also on the operating speed.

## RECOMMENDED FILTRATION TIMES IN VARIABLE SPEED MODE

As a general rule, medium speed will be used most of the time, but a part of the time will be spent at high and low speeds. A good starting point would be to work 15% of the time at high speed, 55% at medium speed and 30% at low speed. In variable speed mode, the total operating time should be increased proportionally to the reduction in flow rate when the pump is operating at lower speeds.

In the case of low volume pools, high speed is recommended for cleaning the filter and/or water surface cleaning, and low and medium speed for general filtration purposes.

Example of standard daily settings (\*):

SPEED	FLOW RATE (*)	OPERATING TIME	WATER VOLUME RENEWED
High (2750 RPM)	17 m <sup>3</sup> /h	8:00h to 9:00h	17 m <sup>3</sup> /h x 1h = 17 m <sup>3</sup>
Medium (2100 RPM)	12 m <sup>3</sup> /h	9:00h to 14:00h	12 m <sup>3</sup> /h x 5h = 60 m <sup>3</sup>
Low (1400 RPM)	8 m <sup>3</sup> /h	14:00h to 16:00h	8 m <sup>3</sup> /h x 2h = 16 m <sup>3</sup>
High (2750 RPM)	17 m <sup>3</sup> /h	16:00h to 17:00h	17 m <sup>3</sup> /h x 1h = 17 m <sup>3</sup>
Medium (2100 RPM)	12 m <sup>3</sup> /h	17:00h to 20:00h	12 m <sup>3</sup> /h x 3h = 36 m <sup>3</sup>
Low (1400 RPM)	8 m <sup>3</sup> /h	20:00h to 22:00h	8 m <sup>3</sup> /h x 2h = 16 m <sup>3</sup>
			<b>162 m<sup>3</sup></b>
			<b>Total renewal volume</b>

(\*) The standard daily settings should be adjusted to the filtration requirements and flow rate supplied by the pump according to the installation (depending on the pipe diameters, valves installed, filters, reducers, nozzles, etc.) so that the total time assigned to the different working speeds and their corresponding flow rates ensures the total water volume of the pool is renewed at least once a day.

## FREQUENTLY ASKED QUESTIONS

### 1. Can the suction vacuum heads work at low speed?

The range of suction vacuum heads available is very large, and the flow-pressure needs for each of them vary greatly. In most cases, the vacuum head start-up makes it necessary to balance the skimmers, suction and pool bottom inlets.

According to this, it is very likely that your suction vacuum head could work at low speeds by adjusting the aforementioned inlets. However, if this is not possible, you can always configure additional time at high speed for the use of the suction vacuum head.

### 2. Could my heating system work at low speed?

Generally yes, as long as your system is flow-controlled (with a flow switch). Most heat exchange systems require a minimum flow of 6 m<sup>3</sup>/h to work correctly. This minimum flow rate is guaranteed at low speeds (except when the filter needs a backwash).

When your heat exchange system is controlled by pressure (with a pressure switch), you should take into account that the installation may not have sufficient pressure when working at low speeds, which means that the heat exchange system will only work when the TURBO mode is used.

### 3. Can my chemical dosing system work at low speed?

In most cases, yes. Most chemical dosing systems require a minimum flow rate of between 3 and 5 m<sup>3</sup>/h in the case of salt chlorinators. This flow rate is guaranteed at low speeds under all conditions.

However, you should check the minimum operating flow rate of your dosing system to ensure that it is lower than when the unit is working at low speeds.

### 4. Should I install a specific junction box to operate the Victoria Plus Silent VS pump?

No. The pump only requires a conventional voltage supply. A specific junction box is not necessary for pump operation.

### 5. Is it necessary to change the hydraulic installation and piping to install the Victoria Plus Silent VS pump?

Installing a variable speed pump does not involve any special dimensioning or any changes to the design of the installation.

When dimensioning, the operating characteristics of the pump at TURBO speed should be taken into account.

### 6. Should any precautions be taken if I only want to use the ECO low-speed mode?

If you do not wish to use the high speeds at any time, it must be taken into account that the pressure in the filter will always be lower than that marked as "filter backwash needed". In this case, it is recommended that this level be reduced to that appropriate to the installation, alongside a visual check of the cleanliness of the filter.

Nevertheless, it is recommended that one high speed cycle per day be programmed.

### 7. Could there be problems with priming the pump?

The self-priming capacity when using the low speed is lower than when using the high speeds. If you suspect that the pump has become unprimed, program the high speed cycle at the start-up in order to ensure fast priming of the pump.

### 8. Could the lighting system be affected by a Victoria Plus Silent pump?

No, the electrical circuits are separate.

## IMPORTANT

This manual contains basic information on the safety measures to be adopted during installation and start-up. The fitter and the user must therefore read the instructions before installation and start-up.

The manual can be downloaded as a PDF file from the website: [www.astralpool.com](http://www.astralpool.com)

## 1. GENERAL SAFETY INSTRUCTIONS

These symbols (    ) indicate the possibility of danger where the corresponding instructions are not followed.



**DANGER. Risk of electrocution.**

Failure to abide by these instructions may lead to the risk of electrocution.



**DANGER.**

Failure to abide by these instructions may lead to the risk of injury to people or damage to property.



**WARNING.**

Failure to abide by these instructions may lead to the risk of damage to the pump or the installation.

## 2. GENERAL SAFETY REGULATIONS

### GENERAL



- The units described in this Manual are specially designed for the pre-filtering and recirculation of water in swimming pools.

- They are designed to work with clean water at temperatures that do not exceed 35 °C.



- Install them in line with the specific instructions for each installation.

- Respect current regulations regarding accident prevention.

- All modifications to the pump require prior authorization from the manufacturer. Original spare parts and accessories authorized by the manufacturer ensure greater safety. The pump manufacturer is exempt from all liability regarding any damage caused by unauthorized spare parts or accessories.



- When working on each unit or others connected to them, disconnect the unit from the power supply and the start-up devices, as the electrical parts of the pump are live during operation.

- All assembly and maintenance work must be carried out by qualified, authorized personnel who have carefully read the installation and service instructions.



- To guarantee safety when operating the machine, you must comply with the installation and service instructions.

- In the event of defective operation or faults, contact your supplier or nearest dealer.

## WARNINGS DURING INSTALLATION AND ASSEMBLY WORK



- In cases of junction box connections only: when connecting the electrical wiring to the motor, check the layout inside the connection box and make sure there are no pieces of wiring inside after it has been closed and that the earthing conductor is correctly connected. Connect the motor in line with the wiring diagram attached to the machine.

- In cases of junction box connections only: make sure that the electrical wiring connections to the terminal box are well mounted and screwed tightly to the connection terminals.

- The unit should be connected to an alternating current supply (see data on the pump's plate) with an earth connection, protected by a residual current device (RCD) with a rated residual operating current that does not exceed 30 mA.

- Ensure the seal of the motor's junction box is properly fitted to prevent water getting in. Likewise, position and tighten the gland inside the cable duct of the junction box.



- Make sure that water is unable to enter the motor or the live electrical parts.

- Where the intended use is not as indicated, additional technical adaptations and regulations may apply.

## WARNINGS DURING START-UP



- Before starting the machine, check the calibration of the electric protection devices on the motor and that the protection against electrical and mechanical contacts is correctly positioned and secure.

### NOTE

The pool should not be used while the pump unit is running.

Do not use the pump if anyone is in contact with water.

## WARNINGS DURING ASSEMBLY AND MAINTENANCE WORK



- Follow local installation regulations when assembling and installing the pumps.



- Make sure that water is unable to enter the motor or the live electrical parts.

- Avoid contact at all times - even accidentally - with moving parts while the unit is running and/or before it comes to a complete standstill.



- Wait for the unit to come to a halt before handling it.



- Before any electrical or mechanical maintenance operation, disconnect the unit from the power supply and block the start-up devices.



- Follow the steps below before handling the unit:

1. Disconnect the unit from the mains.
2. Block all start-up devices.
3. Check that there is no voltage in the circuits, even in the auxiliary circuits and additional features.
4. Wait for the impeller to come to a complete standstill.

The above list is a guideline only as there may be other requirements in addition to local laws for safety reasons.



- For regular control:

- Check that the mechanical parts are tightly secured and check the condition of the screws supporting the machine.
- Check that the power conductors and isolating parts are in their correct position, are secure and in a good state of repair.
- Check the temperature of the machine and the electric motor. In the event of a fault, stop the machine immediately and contact the nearest Technical Assistance Service.
- Check for machine vibrations. In the event of a fault, stop the machine immediately and contact the nearest Technical Assistance Service.



- Due to the complex nature of the cases described, the installation, user and maintenance instructions contained in this manual do not seek to examine all possible and imaginable cases of service and maintenance. Should you require additional instructions or have specific problems, please do not hesitate to contact the nearest Technical Assistance Service.

The electrical installation should be done by someone qualified in working with electrical equipment. This unit is not designed for those with a physical, sensory or mental handicap or people lacking in experience, unless done under supervision or with instructions of use from a person in charge of safety.

Do not permit children nor adults to sit or lean on the unit. Children should be supervised to ensure that they do not play with the unit.

This appliance can be used by children aged from 8 years and above and persons with a reduced physical, sensory, or mental handicap or lack of experience and expertise if they are supervised or have been given instructions on the safe use of the appliance and understand the hazards involved.

Cleaning and user maintenance must not be done by children without supervision.

### 3. INSTALLATION AND ASSEMBLY

#### GENERAL



- Our pumps may only be assembled and installed in pools or ponds that are compliant with standard HD 384.7702. Should you have any doubts, please consult your dealer.

- The installation should follow standard IEC 60364-7-702 for swimming pools.

- The pump can be installed in zones 1 or 2.



- Fit the pump horizontally in order to accommodate the pre-filter. The pumps are fitted with a pre-filter with a basket inside to collect any large particles, as they may damage the hydraulic parts inside the pump.

- All pumps are fitted with a stand with holes in it to anchor it to the ground (Fig. 1).

## PIPING



- To connect the piping, glue the pipes and the connectors, supplied together with the pump; the fitting connections to the suction and return ports on the pump are threaded and include seals to prevent water loss (Fig. 2).

- Fit the return pipes completely perpendicular and centered in relation to the port to be connected to prevent the pump and the pipe from being subjected to external stress, which apart from making fitting difficult, could break them (Fig. 2).

- Fit the suction piping on a slight 2% slope towards the pump to avoid the formation of air pockets (Fig. 2).

- To ensure the pump works correctly, prime the pump pre-filter until water rises up through the suction pipe (Fig. 3).

## LOCATION



- Fit the pump below the water level in the pool to improve pump performance.

- If a self-priming pump is to be fitted above the water level, the pressure differential to the pump suction pipe should not be higher than 0.02 MPa (2 mH<sub>2</sub>O). Ensure that the suction pipe is as short as possible as a longer pipe would increase suction time and the installation's load losses.



- Make sure that the pump is safe from possible flooding and receives dry ventilation.

## ELECTRICAL INSTALLATION



- It is essential that you use a multiple disconnection device with a space of at least 3 mm between surfaces to disconnect the unit from the electrical current.

- Use a rigid cable to connect the pump to the mains. If you use a flexible cable to connect it to the mains, it must have cable lugs to connect it to the terminals of the pump's motor.

- The unit should be connected to an alternating current supply (see data on the pump's plate) with an earth connection, protected by a residual current device (RCD) with a rated residual operating current that does not exceed 30 mA.

- Adjust the value of the ground fault circuit interrupter in line with pump intensity.

- Before connecting the motor, check the type of fuse required.

- Check the layout and connection of the earthing cable in the unit.



- Respect the electrical installation and connection instructions. Failure to do so may lead to the pump's manufacturer declining all liability and rendering the warranty null and void.
- The installation may be subject to special regulations.
- Unsuitable mains connections involve the risk of electrocution.

For this motor, the following points must be considered:

- Thermal protection is incorporated.
- Use a motor guard with magneto-thermal protection.
- The adjustment data for the thermal relay is to be used as a guideline only, as the motor is already fitted with protection.
- For 230 V, use an H07 RN-F3 type connection sleeve with a cable section that adapts to the power of the motor and to the length of the cable.
- For AC, use an H07 RN-F3 type connection sleeve with a cable section that adapts to the power of the motor and the length of the cable.
- The mains cable may only be connected by skilled, authorized personnel.

## 4. START-UP INSTRUCTIONS

### PRIOR TO START-UP



- Measurements prior to first start-up:

1. Remove the pre-filter cap by unscrewing the nut holding it in place (Fig. 5).
2. Fill the pump with water through the pre-filter until it rises up through the suction pipe.
3. Should the basket be removed during these operations, do not forget to replace it to prevent large particles from entering the pump that could block it.
4. Check that the mains voltage and frequency correspond with those indicated on the pump's rating plate.

- Fit the pre-filter cap and screw on tightly, without forgetting to fit the seal in its housing (Fig. 5).
- The pumps must not be run without the pre-filter having first been filled with water. Where this is not the case, the mechanical gasket may be damaged, leading to a loss of water.

### START-UP



- Open all the valves and connect the motor.

- Activate the self-priming mode and wait a reasonable time for this to be completed.

## 5. MAINTENANCE

Depending on the level of water cleanliness, the following should be done every 100 operating hours:



- Clean the pre-filter basket regularly to avoid drops in pressure. To prevent the basket from breaking, do not hit it during the cleaning process.

- Should the pump stop, check that the consumption in amperes of the motor that is running is equal to or below that indicated on the manufacturer's rating plate. If this information is not available, contact the nearest Technical Assistance Service.



- Empty the pump if it is to remain at a standstill for a certain length of time, especially in cold countries where there is a risk of freezing.

- Remove the purge cap to empty the pump.

- Every time the pre-filter is opened, clean the seal and its housing of any impurities to ensure airtightness when the cap is closed (Fig. 5).

- Pump components that, due to their normal use, suffer wear and/or tear must be regularly replaced to ensure good pump performance. The following table lists the fungible and / or consumable components of the pump and the period of time in which they must have been replaced.

DESCRIPTION OF THE COMPONENT	TIME BETWEEN REPLACEMENTS
Bearings	10,000 h
Mechanical seal	10,000 h
O-rings and other sealing components <sup>(1)</sup>	10,000 h
Control unit battery	2 years

<sup>(1)</sup> The opening and closing of the pump for the replacement of any of the inner spare parts does not guarantee the subsequent sealing. For this reason, it is recommended that the O-rings and sealing components are replaced whenever the mechanical seal and / or bearings are changed.

The estimated working life of the above parts has been established according to normal product use and installation conditions.

Follow the instructions in the installation manual to maintain the working life of the pump.

## 6. REMOVAL



- The motor unit can be removed from the pump body without having to disconnect the pump's suction and return pipes.

- To remove the motor unit from the pump body, remove the screws that join them together.

## 7. TROUBLESHOOTING

1. The pump is not primed
2. The pump only releases a small flow of water
3. The pump makes a noise
4. The pump will not start
5. The motor is making a noise but will not start
6. The motor has stopped

1	2	3	4	5	6	CAUSES	SOLUTIONS
●	●					Air entering the suction pipe	Check the condition of connections and seals on the suction pipe
●						Filter cap badly sealed	Clean the filter cap and check the condition of the rubber seal
●	●					Motor turning in wrong direction	Invert 2 power phases
●	●		●			Wrong voltage	Check the voltage on the rating plate and that of the mains
●						Pre-filter blocked	Clean the filter
●						Load loss in the installation	Prevent parts from causing load loss wherever possible
		●				Pump incorrectly secured	Secure the pump correctly
				●		Motor blocked	Remove the motor and contact the technical service
					●	Increased temperature in the terminal box due to electric arc	Check the junction box connections
					●	The thermal protection trips	Connect the cables correctly to the junction boxes
					●	Incorrect junction box connections	Tighten the cable correctly to the junction box / Adapt the size of the cable connection to the junction box



# POMPE VICTORIA PLUS SILENT VS

## DESCRIPTION GÉNÉRALE

La pompe à vitesse variable a pour principale caractéristique la possibilité de faire varier la vitesse en fonction des besoins d'utilisation.

En règle générale, le processus de filtration sera réalisé à la vitesse minimale permise par l'installation afin de tirer profit au maximum des caractéristiques d'économie d'énergie, du faible niveau de bruit et d'amélioration de la qualité de filtration. En conséquence, vous devez régler les durées de filtration de manière appropriée, car à des vitesses plus basses, le débit d'alimentation diminue.

Il est très probable que vous disposiez d'éléments accessoires à la piscine qui requièrent le fonctionnement de la pompe pour être opérationnels. Ce peut être le cas des systèmes de nettoyage, climatisation, dosage de produit chimique, etc. Dans la plupart des cas, ces équipements fonctionnent correctement à basse vitesse. Dans le cas contraire, vous pourrez augmenter la vitesse de fonctionnement et opérer avec ces appareils en fonction de vos besoins.

Dans le cas d'un traitement de choc avec des produits chimiques ou de nettoyage, il est conseillé d'utiliser des vitesses hautes. Dans le cas des opérations de contre lavage du filtre, elles seront toujours réalisées à hautes vitesses.

Pour cela, vous devrez configurer la programmation horaire en tenant compte non seulement de la durée de fonctionnement, mais aussi de la vitesse à laquelle il le fait.

## RECOMMANDATIONS POUR LES DURÉES DE FILTRATION À VITESSE VARIABLE

En règle générale, la plus grande partie du temps de fonctionnement a lieu à vitesse moyenne, bien qu'une période de temps à haute et faible vitesse soit toujours maintenue. Un taux de démarrage recommandé est de 15% du temps total considéré à haute vitesse, de 55% à vitesse moyenne et de 30% à faible vitesse. Avec l'utilisation de la vitesse variable, le temps de fonctionnement total doit être augmenté proportionnellement à la réduction du débit d'alimentation de la pompe lorsque l'on travaille à des vitesses inférieures.

Dans le cas de piscines à petite volume, il est recommandé d'utiliser la haute vitesse pour le lavage des filtres et / ou le nettoyage des eaux de surface et la vitesse moyenne et faible pour la filtration générale

Exemple d'une configuration d'usine quotidienne (\*):

VITESSE	DÉBIT (*)	DURÉE DE FONCTIONNEMENT	RENOUVELLEMENT DU VOLUME D'EAU
Haute (2750 RPM)	17 m <sup>3</sup> /h	8h00 à 9h00	17 m <sup>3</sup> /h x 1h = 17 m <sup>3</sup>
Moyenne (2100 RPM)	12 m <sup>3</sup> /h	9h00 à 14h00	12 m <sup>3</sup> /h x 5h = 60 m <sup>3</sup>
Faible (1400 RPM)	8 m <sup>3</sup> /h	14h00 à 16h00	8 m <sup>3</sup> /h x 2h = 16 m <sup>3</sup>
Haute (2750 RPM)	17 m <sup>3</sup> /h	16h00 à 17h00	17 m <sup>3</sup> /h x 1h = 17 m <sup>3</sup>
Moyenne (2100 RPM)	12 m <sup>3</sup> /h	17h00 à 20h00	12 m <sup>3</sup> /h x 3h = 36 m <sup>3</sup>
Faible (1400 RPM)	8 m <sup>3</sup> /h	20h00 à 22h00	8 m <sup>3</sup> /h x 2h = 16 m <sup>3</sup>
			<b>162 m<sup>3</sup></b>
			<b>Débit renouvelé total</b>

(\*) La configuration en série doit être ajustée en fonction des exigences de filtration et du débit fourni par la pompe dans l'installation (en fonction des diamètres de tuyauteries, valves, filtres, bouches, etc.) en s'assurant que les durées totales assignées aux différentes vitesses de fonctionnement et les débits d'approvisionnement correspondent, et que le volume total d'eau est renouvelé au moins une fois par jour.

## QUESTIONS FRÉQUENTES

### 1. Les nettoyeurs de fond à système d'aspiration peuvent-ils fonctionner à faible vitesse ?

L'offre de nettoyeurs de fond à système d'aspiration est très variée et les prestations de leur débit d'aspiration sont très variables d'un produit à l'autre. Dans la majorité des cas, la mise en marche du nettoyeur de fond oblige à réaliser un bilan entre les prises d'eau de fond, skimmers et aspiration.

Par conséquent, il est très probable que votre nettoyeur de fond à système d'aspiration fonctionne correctement à faibles vitesses, avec un ajustement préalable des prises, comme mentionné juste avant. Cependant, dans le cas contraire, vous pourrez toujours configurer le temps supplémentaire à haute vitesse pour l'utilisation du nettoyeur de fond.

### 2. Mon système de climatisation peut-il fonctionner à faible vitesse ?

En général oui, si votre système dispose d'un détecteur de débit (fluxostat). La plupart des systèmes de climatisation requièrent un débit minimum de 6 m<sup>3</sup>/h pour fonctionner correctement. Ce débit minimum est garanti à faibles vitesses (sauf dans les cas où le filtre requiert déjà un contre-lavage).

Dans le cas où votre système de climatisation disposerait d'un contrôleur de pression (pressostat), il se peut que l'installation n'ait pas suffisamment de pression lorsqu'elle fonctionne à des vitesses faibles, il faudra augmenter la vitesse de fonctionnement.

### 3. Mon système de dosage de produit chimique peut-il fonctionner à faible vitesse ?

Dans la majorité des cas, oui. La plupart des systèmes de dosage de produit requièrent des débits minimaux d'entre 3 et 5 m<sup>3</sup>/h, dans le cas des systèmes d'électrolyse au sel. Ce débit est garanti à basses vitesses dans toutes les conditions.

Cependant, vous devrez vérifier le débit minimum de fonctionnement de votre système de dosage, pour vous assurer qu'il est inférieur à celui de l'installation fonctionnant à faibles vitesses.

### 4. Dois-je installer un tableau de commande spécifique pour faire fonctionner la pompe à deux vitesses ?

Non. La pompe ne nécessite qu'une alimentation conventionnelle. Une boîte de jonction de contrôle spécifique n'est pas nécessaire pour le fonctionnement de la pompe.

### 5. Est-il nécessaire de modifier l'installation et les tuyauteries pour installer la pompe à double vitesse ?

L'installation de la pompe Victoria Plus Silent VS n'implique aucun changement particulier, ni dans les dimensions, ni dans la conception de l'installation. Concernant la capacité, il faudra prendre en compte les caractéristiques de fonctionnement de la pompe à vitesse TURBO.

### 6. Y a-t-il certaines précautions à prendre dans le cas où je souhaiterais utiliser uniquement la vitesse ECO ?

Dans le cas où vous n'utilisez à aucun moment des vitesses hautes, il faut prendre en compte le fait que la pression dans le filtre sera toujours plus basse que celle qui est indiquée comme "point de filtre sale". Dans ce cas, il est conseillé de descendre le dit point à celui qui est approprié à l'installation, tout en vérifiant visuellement le degré de propreté du filtre.

Toutefois, il est recommandé de programmer une fois par jour un cycle à hautes vitesses.

### 7. Est-il possible d'avoir des problèmes d'amorce de la pompe ?

La capacité d'auto-aspiration à vitesses faibles est plus faible qu'à hautes vitesses. Dans le cas où vous détecteriez que la pompe est désamorçée, il faudrait programmer le cycle à haute vitesse de démarrage, pour assurer l'amorce rapide de la pompe.

### 8. Le système d'illumination peut-il être affecté par la pompe Victoria Plus Silent VS ?

Non. Ce sont des circuits électriques indépendants.

## IMPORTANT

Le manuel que vous avez entre les mains contient l'information fondamentale relative aux mesures de sécurité à adopter pour l'installation et la mise en service. Il est pour cela indispensable que l'installateur et l'utilisateur lisent les instructions avant de passer au montage et à la mise en marche.

Le manuel peut être téléchargé sous format pdf depuis la page suivante : [www.astralpool.com](http://www.astralpool.com)

## 1. PRESCRIPTIONS GÉNÉRALES DE SÉCURITÉ

Ces symboles (    ) indiquent une possibilité de danger comme conséquence du manquement aux prescriptions correspondantes.



**DANGER. Risque d'électrocution.**

L'absence de cette prescription comporte un risque d'électrocution.



**DANGER.**

L'absence de cette prescription comporte un risque de dommage corporel ou matériel.



**ATTENTION.**

L'absence de cette prescription comporte un risque de dommage de la pompe ou de l'installation.

## 2. NORMES GÉNÉRALES DE SÉCURITÉ GÉNÉRALITÉS



- Les machines citées dans ce manuel sont spécialement conçues pour obtenir le préfiltrage et le recyclage de l'eau dans les piscines.

- Elles sont conçues pour travailler avec des eaux propres et à une température ne dépassant pas les 35°C.



- Effectuer l'installation selon les indications particulières de chaque emplacement.

- Respecter la réglementation en matière de prévention des accidents en vigueur.

- L'autorisation préalable du fabricant est requise pour effectuer toute modification de la pompe. Les pièces de rechange originales et les accessoires autorisés par le fabricant servent à garantir une plus grande sécurité. Le fabricant de la pompe ne saurait être tenu responsable des dommages occasionnés par des pièces de rechange ou des accessoires non autorisés.



Au moment d'effectuer le travail sur la machine ou sur les équipements qui y sont reliés, débrancher l'équipement du réseau électrique et des dispositifs de démarrage, étant donné que pendant le fonctionnement, les parties électriques de la pompe sont sous tension.

- Les travaux de montage et de maintenance doivent être réalisés par des personnes qualifiées et autorisées ayant lu au préalable les instructions d'installation et de service avec attention.



- Suivre tout ce qui est exposé dans les instructions d'installation et de service pour garantir la sécurité lors du fonctionnement de la machine.

- En cas de fonctionnement défectueux ou de panne, contactez votre fournisseur ou un de ses représentants le plus proche.

## MISES EN GARDE RELATIVES AUX TRAVAUX D'INSTALLATION ET DE MONTAGE



- Seulement pour les situations qui requièrent une intervention dans la boîte à bornes du moteur, pendant la connexion des câbles électriques au moteur de la machine, soigner la disposition à l'intérieur de la boîte de connexions, vérifier qu'aucun morceau de câble ne soit resté à l'intérieur après sa fermeture et que le conducteur de terre soit correctement branché.

- Seulement pour les situations qui requièrent une intervention dans la boîte à bornes du moteur, fixer les connexions des câbles électriques à la boîte de dérivation de la machine de sorte qu'elles soient bien enchâssées et pincées aux bornes de connexion.

- L'appareil doit être branché sur une prise de courant (voir informations sur la plaque de caractéristiques de la pompe) avec prise de terre, protégé par un interrupteur différentiel (RCD) avec un courant de fonctionnement résiduel assigné qui n'excède pas 30mA.

- Utiliser correctement le joint du boîtier de dérivation du moteur électrique pour éviter l'entrée d'eau. En outre, placer et serrer le presse-étoupe à l'intérieur du passe-câbles du boîtier de dérivation.



- Faire particulièrement attention à ce que n'entre pas d'eau dans le moteur et dans les parties électriques en tension et ce d'aucune façon.

- Dans le cas où l'utilisation prévue n'est pas celle qui est mentionnée, appliquer des adaptations et des normes techniques supplémentaires.

## MISE EN GARDE RELATIVE À LA MISE EN MARCHÉ



- Avant la mise en marche de la machine, vérifier le calibrage des dispositifs de protection électrique du moteur et contrôler que les protections contre les contacts électriques et mécaniques soient correctement positionnées et fixées.

### REMARQUE

Ne pas utiliser les installations de bain pendant que l'équipement de pompage est en fonctionnement.

Ne pas utiliser la pompe si les personnes sont en contact avec l'eau.

## MISES EN GARDE RELATIVES AUX TRAVAUX DE MONTAGE ET DE MAINTENANCE



- Prendre en considération les réglementations nationales d'installation pour le montage et l'installation des pompes.



- Faire particulièrement attention à ce que n'entre pas d'eau dans le moteur et dans les parties électriques en tension et ce d'aucune façon.

- Éviter à tout moment le contact même accidentel des parties mobiles de la machine pendant son fonctionnement et/ou avant son arrêt total.



- Attendre que la machine soit complètement arrêtée pour effectuer n'importe quelle manipulation sur elle.



- Débrancher la machine du réseau d'alimentation et bloquer les dispositifs de mise en marche avant de procéder à toute intervention de maintenance électrique ou mécanique.



- Suivre les étapes suivantes avant d'effectuer quelque intervention que ce soit sur la machine :



1. Couper la tension de la machine.

2. Bloquer les dispositifs de mise en marche.



3. Vérifier qu'il n'y ait pas de tension dans les circuits, y compris dans les auxiliaires et les services supplémentaires.

4. Attendre que la turbine s'arrête complètement.

Considérer cette dernière liste non exhaustive, car elle peut ne pas être complète en raison de l'existence éventuelle de critères supplémentaires à la loi nationale aux effets de la sécurité.



- Contrôler régulièrement :

- La correcte fixation des parties mécaniques et l'état des vis de support de la machine.

- La correcte position, la fixation et l'état des conducteurs d'alimentation et des parties isolantes.

- La température de la machine et du moteur électrique. En cas d'anomalie, arrêter immédiatement la machine et contacter le Service d'Assistance Technique le plus proche.

- Les vibrations de la machine. En cas d'anomalie, arrêter immédiatement la machine et contacter le Service d'Assistance Technique le plus proche.



- Les instructions d'installation, utilisation et maintenance contenues dans ce manuel, en raison de la complexité des cas traités, ne prétendent pas examiner tous les cas possibles et imaginables de service et maintenance. Si des instructions supplémentaires étaient nécessaires ou si des problèmes particuliers surgissaient, ne pas hésiter à contacter le Service d'Assistance Technique le plus proche.

L'installation électrique doit être réalisée par des professionnels qualifiés en installations électriques. Cet appareil n'est pas destiné à des personnes avec des capacités physiques, sensorielles ou mentales réduites ou inexpérimentées, sauf si elles ont reçu une supervision ou des instructions concernant son utilisation par un responsable de la sécurité.

Interdisez aux enfants et aux adultes de s'appuyer ou de s'asseoir sur l'appareil. Les enfants doivent être surveillés afin de s'assurer qu'ils ne jouent pas avec l'appareil.

Cet appareil peut être utilisé par des enfants âgés de 8 ans et plus, ainsi que des personnes présentant des capacités physiques, sensorielles ou mentales réduites ou sans expérience et connaissances, si elles se trouvent sous la surveillance de quelqu'un ou reçoivent des instructions concernant l'utilisation en toute sécurité de l'appareil et si elles comprennent le danger existant.

Le nettoyage et l'entretien ne doivent pas être réalisés par des enfants sans surveillance.

## 3. INSTALLATION ET MONTAGE

### GÉNÉRAL



- Le montage et l'installation de nos pompes sont uniquement permis dans des piscines ou des étangs conformes à la norme HD 384.7.702. En cas de doute, consulter un spécialiste.

- L'installation doit satisfaire la norme IEC 60364-7-702 pour piscines.

- La pompe peut être installée dans les zones 1 et 2.



- Réaliser le montage de la pompe en position horizontale en raison du préfiltre. Les pompes sont dotées d'un préfiltre muni en son intérieur d'un panier pour intercepter les particules volumineuses, étant donné que celles-ci peuvent endommager la partie intérieure hydraulique de la pompe.
- Toutes les pompes sont munies d'un pied avec mèches pour pouvoir les fixer au sol au moyen d'un ancrage (Schéma 1).

## TUYAUTERIE



- Pour réaliser la connexion de la tuyauterie, la coller au système de raccords fourni avec la pompe ; les unions du raccord aux bouches d'aspiration et d'impulsion de la pompe sont à vis et sont munies de joints d'étanchéité pour éviter la perte d'eau (Schéma 2).
- Réaliser l'installation des tuyaux d'impulsion complètement perpendiculaire et bien centrée par rapport à la bouche au moment de la connexion afin d'éviter que la pompe et le tuyau soient soumis à des efforts externes qui, en plus de rendre le montage plus difficile, pourraient amener à les casser (Schéma 2).
- Installer la tuyauterie d'aspiration avec une légère pente de 2% vers la pompe pour éviter la formation de poches d'air (Schéma 2).
- Pour le correct fonctionnement de la pompe, procéder à l'amorçage du préfiltre de la pompe jusqu'à ce que l'eau sorte par le conduit d'aspiration (Schéma 3).

## EMPLACEMENT



- Pour améliorer le rendement des pompes, les monter en dessous du niveau de l'eau de la piscine ou étang.
- Si vous devez installer une pompe auto-aspirante au-dessus du niveau de l'eau, le différentiel de pression au niveau de l'aspiration de la pompe ne doit pas dépasser 0,02 MPa (2 mH<sub>2</sub>O) ; faites en sorte que la conduite d'aspiration soit la plus courte possible puisque un tuyau plus long augmente le temps d'aspiration et les pertes de charge de l'installation.



- Faire attention à ce que la pompe soit à l'abri de possibles inondations et qu'elle reçoive une ventilation sèche.

## INSTALLATION ÉLECTRIQUE



- Il est indispensable d'utiliser un dispositif de sectionnement électrique multiple avec une séparation minimum de 3mm entre les contacts afin de déconnecter l'appareil de l'alimentation électrique.
- Utiliser un câble rigide comme connexion au réseau. Si un câble flexible est utilisé pour la connexion au réseau, celui-ci doit intégrer des terminaux pour son branchement aux bornes du moteur de la pompe.
- L'appareil doit être branché sur une prise de courant (voir informations sur la plaque de caractéristiques de la pompe) avec prise de terre, protégé par un interrupteur différentiel (RCD) avec un courant de fonctionnement résiduel assigné qui n'excède pas 30mA.
- Adapter dûment la valeur du disjoncteur de courant résiduel selon l'intensité de la pompe.

- Avant de connecter le moteur, vérifier le type de fusible nécessaire.
- Vérifier la correcte disposition et le branchement du câble de terre lors de l'installation de l'équipement.
- Respecter les conditions d'installation et de connexion électriques : le fabricant de la pompe déclinerait toute responsabilité et déclarerait la garantie sans effet si ces conditions étaient ignorées.
- Il peut exister plusieurs règlements spéciaux relatifs à l'installation.
- Danger d'électrocution en cas de branchement au réseau incorrect.

Pour ce moteur, les points suivants doivent être pris en compte :

- Intègre un protecteur thermique.
- Utiliser un protège-moteur avec protection magnétothermique.
- Les données de régulation du relais thermique sont simplement données à titre d'exemple étant donné que le moteur est doté d'un protecteur intégré.
- Pour 230 V, utiliser une gaine de raccordement type H07 RN-F3 et adapter la section du câble à la puissance du moteur et à la longueur du câble.
- Pour du courant alternatif, utiliser une gaine de raccordement type H07 RN-F3 où la section du câble s'adapte à la puissance du moteur et à la longueur du câble.
- Le câble secteur ne peut être branché que par un personnel qualifié et autorisé.

## 4. INSTRUCTIONS DE MISE EN SERVICE

### QUESTIONS RELATIVES À LA MISE EN MARCHÉ



- Mesures à prendre avant la première mise en marche :

1. Démontez le couvercle du préfiltre en dévissant l'écrou qui la soutient (Schéma 5).
  2. Remplir la pompe d'eau par le préfiltre jusqu'à ce qu'elle sorte par le conduit d'aspiration.
  3. Si pendant ces opérations le panier s'était extrait, ne pas oublier de le placer à nouveau à l'intérieur du préfiltre, afin d'éviter l'entrée de particules volumineuses à l'intérieur de la pompe qui pourraient la bloquer.
  4. Vérifier que la tension et la fréquence du réseau correspondent à celle que stipule la plaque de caractéristiques de la pompe.
- Placer le couvercle préfiltre et fermer en le vissant sans oublier de placer le joint à son emplacement (Schéma 5).
  - Les pompes ne peuvent en aucun cas travailler sans avoir rempli au préalable le préfiltre d'eau étant donné que dans le cas contraire, cela pourrait endommager le joint mécanique et provoquer la perte d'eau.

## MISE EN MARCHÉ



- Ouvrir toutes les vannes et brancher le moteur.
- Effectuer l'auto-amorçage de la tuyauterie et attendre qu'il se produise dans un temps raisonnable.

## 5. MAINTENANCE

Toutes les 100 heures de fonctionnement, selon le niveau de propreté de l'eau, les points suivants doivent être vérifiés :



- Nettoyer le panier du préfiltre régulièrement pour éviter les chutes de pression. Pour éviter une rupture du panier, ne pas le cogner pendant toute la durée du nettoyage.

- Si la pompe s'arrête, vérifier que la consommation en ampères du moteur soit égale ou inférieure à la marque sur la plaque de caractéristiques du fabricant, ou à défaut, contacter le Service d'Assistance Technique le plus proche.



- Vider la pompe si elle doit rester un certain temps sans fonctionner, principalement dans des zones froides où peut exister un risque de congélation.

- Pour effectuer la vidange de la pompe, extraire le bouchon de purge.

- Chaque fois que le préfiltre s'ouvre, nettoyer les impuretés du support du joint pour s'assurer de l'étanchéité de la fermeture du couvercle (Schéma 5).

- Les composants de la pompe, dont l'usage habituel fait qu'ils souffrent d'usure et/ou de détérioration, doivent être changés régulièrement pour maintenir un bon rendement de la pompe. Le tableau suivant répertorie les composants fongibles et / ou consommables de la pompe et la période au cours de laquelle ils doivent avoir été remplacés.

DESCRIPTION DE LA COMPOSANTE	PÉRIODE DE TEMPS À REMPLACER
Rodages	10 000h
Fermeture mécanique	10 000h
Joints et autres éléments d'étanchéité <sup>(1)</sup>	10 000h
Batterie de commande de contrôle	2 ans

<sup>(1)</sup> L'ouverture et la fermeture de la pompe pour le remplacement de l'une des pièces de rechange inertes ne garantit pas l'étanchéité ultérieure. Pour cette raison, il est recommandé de remplacer les joints toriques et les éléments d'étanchéité lors du remplacement de la garniture mécanique et / ou des roulements.

La période approximative de durée utile des pièces précédentes a été établie dans des conditions normales d'utilisation et d'installation du produit.

Suivre les instructions du manuel d'installation pour maintenir la période de vie utile de la pompe.

## 6. DÉMONTAGE



- L'ensemble du moteur peut être démonté du corps de la pompe, sans nécessité de débrancher les tuyaux d'aspiration et impulsion de la pompe.

- Pour démonter l'ensemble moteur du corps de la pompe, ôter les vis qui les unissent.

## 7. TABLEAU DE DYSFONCTIONNEMENTS

- |                                      |   |
|--------------------------------------|---|
| 1. La pompe ne s'amorce pas          | 4. La pompe ne démarre pas                              |
| 2. La pompe présente un débit faible | 5. Le moteur fait du bruit mais ne se met pas en marche |
| 3. La pompe fait du bruit            | 6. Arrêt du moteur                                      |

1	2	3	4	5	6	CAUSES	SOLUTIONS
●	●					Entrée d'air par le tuyau d'aspiration	Vérifier l'état des raccords et les joints du tuyau d'aspiration
●						Mauvaise étanchéité du couvercle du filtre	Nettoyer le couvercle filtre et vérifier l'état du joint caoutchouc
●	●					Rotation du moteur inversée	Inverser les 2 phases d'alimentation
●	●		●			Tension erronée	Vérifier la tension de la plaque des caractéristiques et celle du réseau
	●					Préfiltre obstrué	Nettoyer le filtre
	●					Pertes de charge dans l'installation	Eviter au maximum que les éléments produisent des pertes de charge
		●				Fixation incorrecte de la pompe	Fixer correctement la pompe
				●		Moteur bloqué	Démonter le moteur et consulter le service technique
					●	Augmentation de la température dans la boîte de dérivation par effet d'arc de tension	Vérifier les connexions de la boîte de dérivation
					●	Le protecteur thermique s'active	Réaliser correctement la connexion des câbles aux terminaux des boîtes de dérivation
					●	Connexions de la boîte de dérivation mal effectuées	Serrer correctement le câble au terminal / Adapter la taille de la connexion du câble aux terminaux de la boîte de dérivation



# BOMBA VICTORIA PLUS SILENT VS

## DESCRIPCIÓN GENERAL

La principal característica de la bomba de velocidad variable es la posibilidad de variar la velocidad en función de las necesidades de uso.

Como norma general, el proceso de filtración se llevará a cabo a la mínima velocidad que la instalación permita, con el objetivo de sacar el máximo provecho de las características de ahorro energético, bajo nivel de ruido y mejora de la calidad de filtración. De acuerdo con esto, deberá ajustar adecuadamente los tiempos de filtración dado que, a velocidades inferiores, el caudal de suministro disminuye.

Es muy probable que disponga de elementos accesorios a la piscina que requieran que la bomba esté en funcionamiento para que éstos operen. Dichos elementos pueden ser muy variados como: sistemas de limpieza, climatización, dosificación de producto químico, etc. En la mayoría de los casos estos equipos funcionarán correctamente a baja velocidad. En caso de no ser así, podrá aumentar la velocidad de operación y funcionar con dichos equipos en función de sus necesidades.

En el caso de realizar tratamientos de choque de producto químico o de limpieza, se sugiere utilizar velocidades altas. Respecto a las operaciones de contralavado del filtro, éstas se realizarán siempre en altas velocidades.

Con los comentarios anteriores, deberá configurar la programación horaria considerando no sólo el tiempo de funcionamiento sino también a qué velocidad lo hace.

## RECOMENDACIONES DE TIEMPOS DE FILTRACIÓN CON VELOCIDAD VARIABLE

Como norma general, se pasará la mayor parte del tiempo de operación en velocidad media, aunque siempre se mantendrá un periodo de tiempo en alta y baja velocidad. Una proporción de partida recomendada es un 15% del tiempo total considerado en alta velocidad, un 55% en media velocidad y un 30% en baja velocidad. Con el uso de la velocidad variable, el tiempo total de funcionamiento deberá aumentarse en proporción a la reducción del caudal de suministro de la bomba cuando se trabaja a velocidades inferiores.

Para el caso de piscinas con volúmenes pequeños, se recomienda utilizar la velocidad alta para lavados de filtro y/o limpieza superficial del agua y velocidad media y baja para la filtración general.

Ejemplo de configuración de fábrica diaria en una instalación determinada (\*):

VELOCIDAD	CAUDAL (*)	TIEMPO DE FUNCIONAMIENTO	VOLUMEN DE AGUA RENOVIDO
Alta (2750 RPM)	17 m <sup>3</sup> /h	8:00h a 9:00h	17 m <sup>3</sup> /h x 1h = 17 m <sup>3</sup>
Media (2100 RPM)	12 m <sup>3</sup> /h	9:00h a 14:00h	12 m <sup>3</sup> /h x 5h = 60 m <sup>3</sup>
Baja (1400 RPM)	8 m <sup>3</sup> /h	14:00h a 16:00h	8 m <sup>3</sup> /h x 2h = 16 m <sup>3</sup>
Alta (2750 RPM)	17 m <sup>3</sup> /h	16:00h a 17:00h	17 m <sup>3</sup> /h x 1h = 17 m <sup>3</sup>
Media (2100 RPM)	12 m <sup>3</sup> /h	17:00h a 20:00h	12 m <sup>3</sup> /h x 3h = 36 m <sup>3</sup>
Baja (1400 RPM)	8 m <sup>3</sup> /h	20:00h a 22:00h	8 m <sup>3</sup> /h x 2h = 16 m <sup>3</sup>
			<b>162 m<sup>3</sup></b>
			<b>Volumen total renovado</b>

(\*) La configuración de serie deberá ajustarse según los requerimientos de filtración y el caudal suministrado por la bomba en la instalación (dependiendo de los diámetros de tubería, válvulas instaladas, filtros, reducciones, boquillas, etc.) asegurando que con el tiempo total asignado a las diferentes velocidades de funcionamiento y sus correspondientes caudales de suministro, se renueve como mínimo una vez al día el volumen total del agua.

## PREGUNTAS FRECUENTES

### 1. ¿Los limpiafondos de aspiración pueden funcionar a baja velocidad?

La oferta de limpiafondos de aspiración es muy amplia y las prestaciones de caudal-aspiración que necesitan son muy variables entre unos y otros. En la mayoría de casos, la puesta en marcha del limpiafondos obliga a realizar un balance entre las tomas de agua de fondo, skimmers y aspiración.

De acuerdo con esto, hay muchas probabilidades de que su limpiafondos de aspiración funcione correctamente a bajas velocidades, previo ajuste de las tomas antes mencionadas. No obstante, si no fuese así, siempre podrá configurar un tiempo adicional en alta velocidad para la utilización del limpiafondos.

### 2. ¿Mi sistema de climatización puede funcionar a baja velocidad?

En general sí, siempre que su sistema esté controlado por caudal (fluxostato). La mayoría de sistemas de climatización requieren un caudal mínimo de 6 m<sup>3</sup>/h para funcionar correctamente. Este caudal mínimo está garantizado en bajas velocidades (salvo en aquellos casos que el filtro esté ya requiriendo un contralavado).

En el caso que su sistema de climatización tenga un control por presión (presostato), se deberá tener en cuenta que la instalación puede que no tenga la presión suficiente cuando trabaje en velocidades bajas, por lo que el sistema de climatización requerirá aumentar la velocidad de funcionamiento de la bomba.

### 3. ¿Mi sistema de dosificación de producto químico puede funcionar a baja velocidad?

En la mayoría de casos sí. Gran parte de los sistemas de dosificación de producto requieren caudales mínimos de entre 3 y 5 m<sup>3</sup>/h, en el caso de los equipos de electrolisis de sal. Este caudal está garantizado a bajas velocidades en todas las condiciones.

No obstante, deberá comprobar el caudal mínimo de funcionamiento de su sistema de dosificación para asegurarse de que sea inferior al de la instalación funcionando en bajas velocidades.

### 4. ¿Debo instalar un cuadro de maniobra específico para operar la bomba Victoria Plus Silent VS?

No. La bomba requiere únicamente de un suministro eléctrico convencional. No es necesario un cuadro de maniobra específico.

### 5. ¿Es necesario modificar la instalación y las tuberías para instalar la bomba Victoria Plus Silent VS?

La instalación de la bomba Victoria Plus Silent VS no implica ningún dimensionado especial ni ningún cambio en el diseño de la instalación. Para el dimensionado, se deberán tener en cuenta las características de funcionamiento de la bomba en velocidad TURBO.

### 6. ¿Debo tomar alguna precaución en el caso de querer usar sólo la velocidad ECO?

En el caso de no querer usar velocidades altas en ningún momento, se deberá tener en cuenta que la presión en el filtro va a ser siempre más baja que la marcada como "punto de filtro sucio". En dicho caso, se recomienda bajar este punto al adecuado para la instalación, con una comprobación visual del grado de limpieza del filtro.

No obstante, se recomienda la programación de un ciclo a velocidades altas por día.

### 7. ¿Puedo tener problemas de cebado de bomba?

La capacidad de autoaspiración en bajas velocidades es menor que en altas velocidades. En caso de que detecte que la bomba se desceba, se deberá programar el ciclo de velocidad alta en el arranque, con el fin de asegurar un rápido cebado de la bomba.

### 8. ¿El sistema de iluminación se puede ver afectado por la bomba Victoria Plus Silent VS?

No. Son circuitos eléctricos independientes.



## IMPORTANTE

El manual, que usted tiene en sus manos, contiene información fundamental a cerca de las medidas de seguridad a adoptar a la hora de la instalación y la puesta en servicio. Por ello, es imprescindible que tanto el instalador como el usuario lean las instrucciones antes de pasar al montaje y la puesta en marcha.

El manual puede descargarse en pdf desde la siguiente página: [www.astralpool.com](http://www.astralpool.com)

## 1. PRESCRIPCIONES GENERALES DE SEGURIDAD

Esta simbología (    ) indica la posibilidad de peligro como consecuencia de no respetar las prescripciones correspondientes.



**PELIGRO. Riesgo de electrocución.**

La no advertencia de esta prescripción comporta un riesgo de electrocución.



**PELIGRO.**

La no advertencia de esta prescripción comporta un riesgo de daño a las personas o cosas.



**ATENCIÓN.**

La no advertencia de esta prescripción comporta un riesgo de daños a la bomba o a la instalación.

## 2. NORMAS GENERALES DE SEGURIDAD

### GENERALIDADES



- Las máquinas citadas en este Manual están especialmente diseñadas para obtener el prefiltrado y la recirculación del agua en las piscinas.

- Están concebidas para trabajar con aguas limpias y de temperatura que no exceda 35°C.



- Efectuar la instalación de acuerdo con las indicaciones particulares de cada implantación.

- Respetar las normas vigentes para la prevención de accidentes.

- Para cualquier modificación en la bomba es requerida la previa autorización del fabricante. Los repuestos originales y los accesorios autorizados por el fabricante sirven para garantizar una mayor seguridad. El fabricante de la bomba queda eximido de toda responsabilidad de los daños ocasionados por repuestos o accesorios no autorizados.



- Al efectuar el trabajo sobre cada máquina o sobre los equipos a ella ligada, hay que desconectar el equipo de la red eléctrica de alimentación y los dispositivos de arranque, ya que durante el funcionamiento las partes eléctricas de la bomba se encuentran bajo tensión.

- Los trabajos de montaje y mantenimiento deben ser llevados a cabo por personas cualificadas y autorizadas, y que éstas hayan leído previamente de forma detenida las instrucciones de instalación y servicio.



- Cumplir lo expuesto en las instrucciones de instalación y servicio para garantizar la seguridad en el funcionamiento de la máquina.

- En caso de funcionamiento defectuoso o avería, diríjase a su proveedor o a la representación más próxima del mismo.

## ADVERTENCIAS EN LOS TRABAJOS DE INSTALACIÓN Y MONTAJE



- Sólo para casos que requieran intervenir en la caja de bornes del motor, durante la conexión de los cables eléctricos al motor de la máquina, cuidar la disposición en el interior de la caja de conexiones, verificar que no queden trozos de cable en el interior después del cierre y que el conductor de tierra está correctamente conectado.

- Sólo para casos que requieran intervenir en la caja de bornes del motor, asegurar las conexiones de los cables eléctricos a la caja de bornes de la máquina, de manera que queden bien engastadas y apretadas a los bornes de conexión.

- El equipo se debe conectar a una toma de corriente (ver datos en chapa característica de la bomba) con conexión a tierra, protegida con un interruptor diferencial (RCD) con una corriente de funcionamiento residual asignada que no exceda de 30 mA.

- Utilizar correctamente la junta de la caja de bornes del motor eléctrico para evitar la entrada de agua. Igualmente, colocar y apretar el prensaestopa en el interior del pasacables de la caja de bornes.



- Prestar particular atención a que, de ninguna manera entre agua en el motor y en las partes eléctricas en tensión.

- En caso de que la utilización prevista no sea la citada, aplicar adecuaciones y normativas técnicas suplementarias.

## ADVERTENCIAS EN LA PUESTA EN MARCHA



- Verificar la calibración de los dispositivos de protección eléctricos del motor y comprobar que las protecciones contra contactos eléctricos y mecánicos estén correctamente posicionadas y fijadas, antes de la puesta en marcha.

### NOTA

No utilizar las instalaciones de baño mientras el equipo de bombeo esté en funcionamiento.  
No utilizar la bomba en caso que las personas estén en contacto con agua.

## ADVERTENCIAS EN LOS TRABAJOS DE MONTAJE Y MANTENIMIENTO



- Tener en cuenta las reglamentaciones de instalaciones nacionales para el montaje e instalación de las bombas.

- Prestar particular atención a que de ninguna manera entre agua en el motor y en las partes eléctricas en tensión.



- Evitar en todo momento el contacto, incluso accidental, con las partes móviles de la máquina durante el funcionamiento de la misma y/o antes de su parada total.



- Esperar a que la máquina esté completamente parada para realizar cualquier manipulación sobre la misma.



- Desconectar la máquina de la red de alimentación y bloquear los dispositivos de puesta en marcha, antes de proceder a cualquier intervención de mantenimiento eléctrico o mecánico.



- Seguir los siguientes pasos antes de efectuar cualquier intervención sobre la máquina:

1. Quitar el voltaje de la máquina.
2. Bloquear los dispositivos de puesta en marcha.
3. Verificar que no haya voltaje presente en los circuitos, incluso en los auxiliares y los servicios suplementarios.
4. Esperar hasta que el rodete se pare completamente.

Considerar la anterior lista como indicativa ya que puede no estar completa debido a que pueden existir requisitos adicionales a la ley nacional a efectos de seguridad.



- Controlar periódicamente:

- La correcta sujeción de las partes mecánicas y el estado de los tornillos de soporte de la máquina.
- La correcta posición, la sujeción y el estado de los conductores de alimentación y de las partes aislantes.
- La temperatura de la máquina y del motor eléctrico. En caso de anomalía, parar inmediatamente la máquina y contacte con el Servicio de Asistencia Técnica más próximo.
- Las vibraciones de la máquina. En caso de anomalía, parar inmediatamente la máquina y contacte con el Servicio de Asistencia Técnica más próximo.



- Las instrucciones de instalación, uso y mantenimiento contenidas en este manual, a causa de la complejidad de los casos tratados, no pretenden examinar todos los casos posibles e imaginables de servicio y mantenimiento. Si son necesarias instrucciones suplementarias o si surgen problemas particulares, no dudar en contactar con el Servicio de Asistencia Técnica más próximo.

La instalación eléctrica debe ser hecha por personal profesional cualificado en instalaciones eléctricas. Éste equipo no está destinado a personas con capacidades físicas, sensoriales o mentales reducidas o sin experiencia, a no ser que hayan tenido supervisión o instrucciones acerca de su uso por un responsable de seguridad.

No permita ni a niños ni a adultos apoyarse o sentarse sobre el aparato. Los niños deben ser supervisados para asegurar que no juegan con el equipo.

Este aparato puede ser utilizado por niños a partir de 8 años y personas con capacidades físicas, sensoriales o mentales reducidas o por falta de experiencia y conocimiento si han recibido supervisión o instrucciones sobre el uso del equipo de una manera segura y entienden el peligro involucrado.

La limpieza y el mantenimiento por parte del usuario no deben ser realizados por niños sin supervisión.

## 3. INSTALACIÓN Y MONTAJE

### GENERAL



- El montaje e instalación de nuestras bombas, sólo está permitido en piscinas o estanques que cumplan con la norma HD 384.7.702. En supuestos dudosos, consultar a su especialista.

- La instalación debe seguir la norma IEC 60364-7-702 para piscinas.

- La bomba puede ser instalada en las zonas 1 y 2.



- Realizar el montaje de la bomba en posición horizontal debido al prefiltro. Las bombas llevan un prefiltro con un cesto en su interior para recoger las partículas gruesas, ya que éstas pueden dañar la parte interior hidráulica de la bomba.
- Todas las bombas están provistas de un pie con taladros para poder sujetarlas en el suelo mediante un anclaje (Fig. 1).

## TUBERÍAS



- Para realizar la conexión de la tubería, encolar la tubería a la racordería, suministrada conjuntamente con la bomba; las uniones de la racordería a las bocas de aspiración e impulsión de la bomba son de rosca y llevan juntas de estanqueidad para evitar la pérdida de agua (Fig. 2).
- Realizar la instalación de los tubos de impulsión completamente perpendicular y bien centrada respecto a la boca a conectar con el fin de evitar que la bomba y el tubo estén sometidos a unos esfuerzos externos que, a parte de dificultar el montaje, podría llegar a romperlos (Fig. 2).
- Instalar la tubería de aspiración con una ligera pendiente hacia la bomba del 2% para evitar la formación de bolsas de aire (Fig. 2).
- Para el correcto funcionamiento de la bomba proceder al cebado del prefiltro de la bomba hasta que el agua aflore por el conducto de aspiración (Fig.3).

## EMPLAZAMIENTO



- Montar la bomba por debajo del nivel del agua de la piscina o estanque para mejorar el rendimiento de las bombas.
- En caso de tener que instalar una bomba autoaspirante por encima del nivel del agua, el diferencial de presión a la aspiración de la bomba no debe ser superior a 0,02 MPa (2 mH<sub>2</sub>O), procurando que el conducto de aspiración sea lo más corto posible ya que, una tubería más larga, incrementa el tiempo de aspiración y las pérdidas de carga de la instalación.



- Procurar que la bomba este a salvo de posibles inundaciones y reciba una ventilación de carácter seco.

## INSTALACIÓN ELÉCTRICA



- Es imprescindible utilizar un dispositivo de desconexión múltiple con una separación mínima de 3 mm entre contactos para desconectar el equipo de la alimentación eléctrica.
- Utilizar un cable rígido como conexión a red. En el caso de utilizar un cable flexible para la conexión a la red, éste debe llevar terminales para su conexión a los bornes del motor de la bomba.
- El equipo se debe conectar a una toma de corriente (ver datos en chapa característica de la bomba) con conexión a tierra, protegida con un interruptor diferencial (RCD) con una corriente de funcionamiento residual asignada que no exceda de 30 mA.
- Ajustar convenientemente el valor del disyuntor de corriente residual según intensidad de la bomba.

- Comprobar el tipo de fusible necesario antes de conectar el motor.
- Verificar la correcta disposición y conexión del cable de tierra en la instalación del equipo.
- Respetar las condiciones de instalación y conexiones eléctricas, ya que de no ser así, el fabricante de la bomba declina toda su responsabilidad y considera sin efecto la garantía.
- Pueden existir reglamentos especiales para la instalación.
- Peligro de electrocución en caso de una conexión de red no adecuada.

Para este motor hay que considerar los siguientes puntos:

- Lleva incorporado un protector térmico.
- Utilizar un guarda-motor con protección magneto-térmica.
- Los datos de regulación del relé térmico son meramente ilustrativos, ya que el motor lleva un protector incorporado.
- Para 230 V utilizar una manguera de conexión tipo H07 RN-F3 y adaptar la sección del cable a la potencia del motor y a la longitud del cable.
- Para corriente alterna utilizar una manguera de conexión tipo H07 RN-F3 donde la sección del cable se adapte a la potencia del motor y a la longitud del cable.
- Para conectar el cable de red, este sólo puede ser conectado por personal cualificado y autorizado.

## 4. INSTRUCCIONES DE PUESTA EN SERVICIO

### CUESTIONES PREVIAS A LA PUESTA EN MARCHA



- Medidas antes de la primera puesta en marcha:

1. Desmontar la tapa del prefiltro, desenroscando la tuerca que la sujeta (Fig. 5).
  2. Llenar de agua la bomba por el prefiltro hasta que aflore por el conducto de aspiración.
  3. Colocar de nuevo el cesto en el interior del prefiltro, si durante estas operaciones se hubiese extraído, con el objeto de evitar la entrada de partículas gruesas en el interior de la bomba que podrían llegar a bloquearla.
  4. Comprobar que la tensión y la frecuencia de la red se corresponden con las determinadas en la placa de características de la bomba.
- Colocar la tapa prefiltro y cerrar enroscándola, sin olvidar colocar la junta en su alojamiento (Fig.5).
  - Las bombas en ningún caso pueden trabajar sin haber llenado previamente el prefiltro de agua, ya que de lo contrario, ello puede dañar la junta mecánica, provocando pérdida de agua por ésta.

## PUESTA EN MARCHA



- Abrir todas las válvulas y conectar el motor.
- Efectuar el autocebado de la tubería y esperar a que se realice en un tiempo razonable.

## 5. MANTENIMIENTO

Cada 100 horas de funcionamiento en función del nivel de limpieza del agua, se deben revisar los siguientes puntos:



- Limpiar regularmente el cesto del prefiltro para evitar caídas de presión. No golpearlo durante el proceso de limpieza para evitar una posible rotura del cesto.

- Si la bomba se para, comprobar que el consumo en amperios del motor en funcionamiento es igual o inferior al marcado en la placa de características del fabricante, o en su defecto dirigirse al Servicio de Asistencia Técnica más próximo.



- Vaciar la bomba de agua en los casos que tenga que permanecer algún tiempo sin funcionar, principalmente en países fríos donde pueda existir peligro de congelación.

- Para efectuar el vaciado de la bomba, extraer el tapón de purga.

- Cada vez que se abra el prefiltro, limpiar de impurezas el asiento de la junta y la propia junta, para asegurar la estanqueidad en el cierre de la tapa (Fig. 5).

- Los componentes de la bomba que por su uso habitual sufren desgaste y/o deterioro han de ser repuestos periódicamente para mantener el buen rendimiento de la bomba. En la siguiente tabla se detallan los componentes fungibles y/o consumibles de la bomba y el periodo de tiempo en el cuál deben sustituirse:

DESCRIPCIÓN DEL COMPONENTE	PERIODO DE TIEMPO PARA SER SUSTITUIDO
Rodamientos	10.000 h
Cierre mecánico	10.000 h
Juntas y otros elementos de estanqueidad <sup>(1)</sup>	10.000 h
Pila del mando de control	2 años

<sup>(1)</sup> La apertura y cierre de la bomba para la sustitución de alguno de los recambios internos no garantiza la posterior estanqueidad. Por este motivo se recomiendan sustituir, las juntas tóricas y elementos de estanqueidad siempre cuando se sustituya la junta mecánica y/o rodamientos.

El periodo de vida de las piezas anteriores ha sido establecido según condiciones normales de uso e instalación del producto.

Seguir las instrucciones del manual de instalación para mantener el periodo de vida de la bomba.

## 6. DESMONTAJE



- El conjunto del motor puede ser desmontado del cuerpo de la bomba, sin necesidad de desconectar las tuberías de aspiración e impulsión de la bomba.

- Para desmontar el Conjunto motor del cuerpo de la bomba, quitar los tornillos que los unen.

## 7. TABLA DE FALLOS

- |                            |  |
|----------------------------|--|
| 1. La bomba no se ceba     | 4. La bomba no arranca                           |
| 2. La bomba da poco caudal | 5. El motor hace ruido pero no se pone en marcha |
| 3. La bomba hace ruido     | 6. Paro del motor                                |

1	2	3	4	5	6	CAUSAS	SOLUCIONES
●	●					Entrada de aire por la tubería de aspiración	Comprobar el estado de racores y juntas del tubo de aspiración
●						Mala estanqueidad de tapa del filtro	Limpiar la tapa filtro y comprobar estado de la junta goma
●	●					Giro del motor invertido	Invertir 2 fases de la alimentación
●	●		●			Voltaje erróneo	Comprobar el voltaje de la placa característica y el de la red
	●					Prefiltro obturado	Limpiar el filtro
	●					Pérdidas de carga en la instalación	Evitar al máximo que los elementos produzcan pérdidas de carga
		●				Fijación incorrecta de la bomba	Fijar correctamente la bomba
				●		Motor bloqueado	Desmontar el motor y acudir al servicio técnico
					●	Aumento de la temperatura en la caja de bornes por efecto de arco voltaico	Comprobar las conexiones de la caja de borne
					●	Salta el protector térmico	Realizar correctamente la conexión de los cables con los terminales de las cajas de bornes
					●	Conexiones caja bornes mal efectuadas	Apretar correctamente el cable con el terminal / Adecuar el tamaño de la conexión del cable a los terminales de la caja de bornes





# POMPA VICTORIA PLUS SILENT VS

## DESCRIZIONE GENERALE

La caratteristica principale della pompa a velocità variabile è la possibilità di modificare la velocità in funzione delle necessità d'uso.

Come regola generale, il processo di filtrazione sarà effettuato alla velocità minima permessa dall'apparecchiatura con l'obiettivo di trarre il massimo vantaggio dalle caratteristiche di risparmio energetico, basso livello di rumore e miglioramento della qualità della filtrazione. Pertanto, si devono calibrare correttamente i tempi di filtrazione poiché a velocità inferiori la portata di alimentazione diminuisce.

È molto probabile che vi siano elementi accessori della piscina che per operare richiedano che la pompa della piscina sia in funzione. Tali elementi possono essere molto diversi, quali: sistemi di pulizia, climatizzazione, dosaggio di prodotti chimici, ecc. Nella maggior parte dei casi questi dispositivi funzioneranno correttamente a bassa velocità. In caso negativo, si potrà aumentare la velocità di funzionamento e utilizzare tali dispositivi in base alle loro necessità.

Nel caso di trattamenti d'urto con prodotti chimici o per la pulizia, si consiglia di utilizzare velocità elevate. Per quanto riguarda le operazioni di controlavaggio del filtro, queste saranno sempre effettuate a velocità elevate.

Tenendo a mente le osservazioni di cui sopra, si dovrà configurare la programmazione oraria considerando non solo il tempo di funzionamento ma anche il parametro della velocità.

## RACCOMANDAZIONI DI TEMPI DI FILTRAZIONE A VELOCITÀ VARIABILE

Come regola generale, la maggior parte del tempo operativo sarà a velocità media, anche se verrà sempre mantenuto un periodo di tempo ad alta e bassa velocità. Una proporzione di suddivisione raccomandata è il 15% del tempo totale considerato ad alta velocità, il 55% a velocità media e il 30% a bassa velocità. Con l'uso della velocità variabile, il tempo di funzionamento totale deve essere aumentato in proporzione alla riduzione della portata di alimentazione della pompa quando si lavora a velocità inferiori.

Nel caso di piscine con piccoli volumi, si consiglia di utilizzare l'alta velocità per il lavaggio dei filtri e/o la pulizia superficiale dell'acqua e la velocità media e bassa per la filtrazione generale.

Esempio di configurazione giornaliera di serie in un'installazione tipica (\*):

VELOCITÀ	PORTATA (*)	TEMPO DI FUNZIONAMENTO	VOLUME DI RICAMBIO ACQUA
Alta (2750 giri/min)	17 m <sup>3</sup> /h	dalle 8:00h alle 9:00h	17 m <sup>3</sup> /h x 1h = 17 m <sup>3</sup>
Media (2100 giri/min)	12 m <sup>3</sup> /h	dalle 9:00h alle 14:00h	12 m <sup>3</sup> /h x 5h = 60 m <sup>3</sup>
Bassa (1400 giri/min)	8 m <sup>3</sup> /h	dalle 14:00h alle 16:00h	8 m <sup>3</sup> /h x 2h = 16 m <sup>3</sup>
Alta (2750 giri/min)	17 m <sup>3</sup> /h	dalle 16:00h alle 17:00h	17 m <sup>3</sup> /h x 1h = 17 m <sup>3</sup>
Media (2100 giri/min)	12 m <sup>3</sup> /h	dalle 17:00h alle 20:00h	12 m <sup>3</sup> /h x 3h = 36 m <sup>3</sup>
Bassa (1400 giri/min)	8 m <sup>3</sup> /h	dalle 20:00h alle 22:00h	8 m <sup>3</sup> /h x 2h = 16 m <sup>3</sup>
			<b>162 m<sup>3</sup></b>
			<b>Volume totale ricambio acqua</b>

(\*) La configurazione di serie deve essere regolata in base ai requisiti di filtrazione e alla portata fornita dalla pompa al momento dell'installazione (in base ai diametri del tubo, alle valvole installate, ai filtri, alle riduzioni, alle bocchette, ecc.) assicurandosi che con il tempo totale assegnato alle diverse velocità operative e alle corrispondenti portate di alimentazione, il volume totale di acqua venga rinnovato almeno una volta al giorno.

## FAQ

### 1. I pulitori fondo ad aspirazione possono funzionare a bassa velocità?

L'offerta di pulitori fondo ad aspirazione è molto vasta e le prestazioni di portata-aspirazione di cui hanno bisogno sono molto variabili tra di loro. Nella maggior parte dei casi, avvio del pulitore richiede un equilibrio tra le prese dell'acqua di fondo, gli skimmer e l'aspirazione.

In base a questo, ci sono buone probabilità che il suo pulitore fondo ad aspirazione funzioni correttamente a basse velocità, dopo aver regolato le prese sopra menzionate. Tuttavia, se così non fosse, è sempre possibile impostare un tempo aggiuntivo ad alta velocità per l'uso del pulitore fondo.

### 2. Il mio sistema di climatizzazione può funzionare a bassa velocità?

In generale sì, a condizione che il suo sistema sia controllato per portata (flussostato). La maggior parte dei sistemi di climatizzazione richiede una portata minima di 6 m<sup>3</sup>/h per funzionare correttamente. Questa portata minima è garantita a basse velocità (tranne nei casi in cui il filtro abbia già necessità di un controlavaggio).

Nel caso in cui il suo impianto di climatizzazione disponga di un controllo di pressione (pressostato), si dovrà tenere conto del fatto che l'installazione potrebbe non avere una pressione sufficiente quando si lavora a basse velocità, pertanto l'impianto di climatizzazione richiederà di aumentare la velocità di funzionamento della pompa.

### 3. Il mio sistema di dosaggio per prodotti chimici può funzionare a bassa velocità?

Nella maggior parte dei casi sì. Gran parte dei sistemi di dosaggio di prodotti richiedono portate minime comprese tra 3 e 5 m<sup>3</sup>/h, nel caso di apparecchiature per elettrolisi salina. Questa portata è garantita a basse velocità in tutte le condizioni.

Tuttavia, dovrà verificare la portata minima di funzionamento del suo sistema di dosaggio per assicurarsi che sia inferiore a quella dell'apparecchio quando funziona a basse velocità.

### 4. Devo installare un quadro di manovra apposito per azionare la pompa Victoria Plus Silent VS?

No. La pompa richiede unicamente una alimentazione elettrica convenzionale. Non è necessario un quadro di manovra apposito.

### 5. È necessario modificare l'impianto e le tubazioni per installare la pompa Victoria Plus Silent VS?

L'installazione della pompa Victoria Plus Silent VS non implica alcun dimensionamento speciale o alcun cambiamento nella configurazione dell'impianto. Per il dimensionamento, è necessario tenere conto delle caratteristiche di funzionamento della pompa a velocità TURBO.

### 6. Devo adottare delle precauzioni nel caso in cui desiderassi utilizzare solo la velocità ECO?

Nel caso in cui non si desideri utilizzare in nessun caso le alte velocità, si dovrà tenere conto del fatto che la pressione nel filtro sarà sempre inferiore a quella indicata come "punto di filtro sporco". In questo caso, si consiglia di allineare questo punto a quello corretto per l'installazione, con un controllo visivo del grado di pulizia del filtro.

Tuttavia, si consiglia di programmare un ciclo ad alte velocità al giorno.

### 7. Posso avere problemi di innesco della pompa?

La capacità di auto-aspirazione a bassa velocità è inferiore rispetto a quella ad alta velocità. Nel caso in cui venga rilevato che la pompa si disinnescia, si dovrà programmare il ciclo ad alta velocità all'inizio, al fine di garantire un rapido innesco della pompa.

### 8. Il sistema di illuminazione può essere disturbato dalla pompa Victoria Plus Silent VS?

No. Sono circuiti elettrici indipendenti.

## IMPORTANTE

Il presente manuale contiene informazioni fondamentali sulle misure di sicurezza da adottare durante l'installazione e la messa in servizio. È pertanto imprescindibile che l'installatore e l'utente leggano le istruzioni prima di procedere al montaggio e avvio.

Il manuale in formato pdf si può scaricare dal seguente sito: [www.astralpool.com](http://www.astralpool.com)

## 1. PRESCRIZIONI GENERALI DI SICUREZZA

Questi simboli (    ) indicano una possibile situazione di pericolo come conseguenza del mancato rispetto delle istruzioni corrispondenti.



**PERICOLO. Rischio di folgorazione.**

La mancata osservanza di questa prescrizione comporta il rischio di folgorazione.



**PERICOLO.**

La mancata osservanza di questa prescrizione comporta il rischio di danni a persone e cose.



**ATTENZIONE.**

La mancata osservanza di questa prescrizione comporta il rischio di danni alla pompa o all'impianto.

## 2. NORME GENERALI DI SICUREZZA

### INDICAZIONI GENERALI



- Le macchine indicate in questo manuale sono appositamente progettate per la pre-filtrazione e il ricircolo dell'acqua nelle piscine.

- Sono concepite per funzionare con acqua pulita e a temperature non superiori a 35°C.



- L'installazione va effettuata secondo le indicazioni specifiche di ogni impianto.

- Rispettare le norme vigenti per la prevenzione di incidenti.

- Per qualsiasi modifica della pompa è necessaria l'autorizzazione preliminare da parte del fabbricante. Lo scopo dei ricambi originali e degli accessori autorizzati dal fabbricante è quello di garantire una maggiore sicurezza. Il fabbricante della pompa declina ogni responsabilità per danni causati da ricambi o accessori non autorizzati.



- Prima di effettuare il lavoro su una macchina o sui dispositivi ad essa collegati, è necessario scollegare l'apparecchiatura dalla rete elettrica e dai dispositivi di avvio, dato che durante il funzionamento le parti elettriche della pompa sono sotto tensione.

- I lavori di montaggio e manutenzione devono essere effettuati da personale qualificato e autorizzato, dopo aver letto attentamente le istruzioni di installazione e di manutenzione.



- Rispettare quanto illustrato nelle istruzioni di installazione e manutenzione al fine di garantire la sicurezza nel funzionamento della macchina.

- In caso di funzionamento difettoso o di guasto, rivolgersi al fornitore o al suo rappresentante più vicino.

## AVVERTENZE PER LE OPERAZIONI DI INSTALLAZIONE E MONTAGGIO



- Solo per i casi che richiedono l'intervento sulla morsettiera del motore, durante il montaggio dei cavi elettrici sul motore della macchina, occorre fare attenzione alla loro disposizione all'interno della scatola di connessione, verificare che non vi siano pezzi di cavo all'interno dopo la chiusura e che il conduttore di messa a terra sia collegato correttamente.

- Solo per i casi che richiedono l'intervento sulla morsettiera del motore, occorre fissare le connessioni dei cavi elettrici alla morsettiera della macchina, in modo tale che siano ben inseriti e fissati ai morsetti di collegamento.

- La macchina va collegata ad una presa di tensione a corrente alternata (Vedi dati su coperchio delle caratteristiche della pompa), con una connessione a terra, protetta con un interruttore differenziale (RCD) con una corrente di servizio residua assegnata che non ecceda i 30 mA.

- Utilizzare correttamente la guarnizione della scatola di derivazione del motore elettrico al fine di evitare l'ingresso dell'acqua. Inoltre posizionare e stringere il premistoppa all'interno del passacavi della morsettiera.



- Controllare che l'acqua non penetri nel motore né nelle parti elettriche in tensione.

- Nel caso in cui l'utilizzo previsto non sia quello menzionato, applicare adattamenti e normative tecniche supplementari.

## AVVERTENZE PER AVVIO



- Prima di avviare la macchina, verificare la taratura dei dispositivi elettrici di protezione del motore; verificare inoltre che le protezioni dai contatti elettrici e meccanici siano collocate e fissate correttamente.

### NOTA

Non utilizzare gli impianti della piscina mentre il dispositivo di pompaggio è in funzione.

Non utilizzare la pompa se vi sono persone a contatto con l'acqua.

## AVVERTENZE PER LE OPERAZIONI DI MONTAGGIO E MANUTENZIONE



- Per il montaggio e l'installazione delle pompe occorre attenersi alle regolamentazioni nazionali in materia di montaggio e installazione di pompe.

- Controllare che l'acqua non penetri nel motore né nelle parti elettriche in tensione.



- Evitare sempre il contatto, anche accidentale, con le parti mobili della macchina durante il suo funzionamento e/o prima del suo arresto completo.



- Aspettare che la macchina sia completamente ferma prima di effettuare qualsiasi intervento su di essa.



- Scollegare la macchina dalla rete elettrica e bloccare i dispositivi di avvio prima di procedere a qualunque intervento di manutenzione elettrica o meccanica.



- Prima di procedere a qualunque intervento sulla macchina seguire questa procedura:



1. Togliere tensione alla macchina.
2. Bloccare i dispositivi di messa in funzione
3. Verificare che i circuiti, compresi i dispositivi ausiliari e i servizi supplementari, siano privi di tensione.
4. Attendere il completo arresto della girante.

Considerare l'elenco precedente come indicativo, dal momento che potrebbe non essere completo per l'esistenza di requisiti aggiuntivi alla legge nazionale ai fini della sicurezza.



-Controllare periodicamente:

- Il corretto serraggio delle parti meccaniche e lo stato delle viti che supportano la macchina.
- La corretta posizione, il serraggio e lo stato dei conduttori di alimentazione e delle parti isolanti.
- La temperatura della macchina e del motore elettrico. In caso di anomalia, arrestare immediatamente la macchina e rivolgersi al Servizio di Assistenza Tecnica più vicino.
- Le vibrazioni della macchina. In caso di anomalia, arrestare immediatamente la macchina e rivolgersi al Servizio di Assistenza Tecnica più vicino.



-Le istruzioni di installazione, uso e manutenzione contenute in questo manuale, a causa della complessità dei casi trattati, non pretendono di esaminare tutti i casi possibile e immaginabili di servizio e manutenzione. Qualora si rendessero necessarie istruzioni supplementari o si verificassero problemi particolari, non esitare a rivolgersi al Servizio di Assistenza Tecnica più vicino.

L'installazione elettrica deve essere eseguita da personale professionale qualificato in impianti elettrici. Questo apparecchio non è destinato a persone con capacità fisiche, sensoriali o mentali ridotte o senza esperienza, a meno che non agiscano sotto la supervisione o non abbiano ricevuto istruzioni in merito al suo uso da un responsabile della sicurezza

Non permettere né ai bambini né agli adulti di appoggiarsi o di sedersi sulla macchina. I bambini devono essere vigilati per assicurarsi che non giochino con la macchina.

Questo apparecchio può essere utilizzato da bambini di età superiore a 8 anni e da persone con ridotte capacità fisiche, sensoriali o mentali o mancanza di esperienza e conoscenza, purché agiscano sotto la supervisione di un esperto, siano stati istruiti sull'uso in sicurezza del medesimo e comprendano i pericoli correlati.

La pulizia e la manutenzione da parte dell'utente non devono essere eseguite da bambini senza supervisione.

## 3. INSTALLAZIONE E MONTAGGIO

### INDICAZIONI GENERALI



- Il montaggio e l'installazione delle nostre pompe sono consentiti solo in piscine o vasche conformi alla norma HD 384.7.702. In caso di dubbi, consultare uno specialista.

- L'installazione deve rispettare la norma IEC 60364-7-702 per piscine.

- La pompa può essere installata nelle zone 1 e 2.



- Effettuare il montaggio della pompa in posizione orizzontale, a motivo del prefiltro. Le pompe sono dotate di un prefiltro con un cesto interno che serve a raccogliere le particelle più grosse che potrebbero danneggiare la parte idraulica interna della pompa.

- Tutte le pompe sono dotate di una base con fori per l'ancoraggio al basamento (Fig. 1).

## TUBAZIONI



- Per effettuare il collegamento delle tubazioni, incollarle ai raccordi forniti assieme alla pompa; le giunzioni dei raccordi alle bocche di aspirazione e ritorno della pompa sono filettate e presentano guarnizioni a tenuta stagna per evitare le perdite d'acqua (Fig. 2).

- Effettuare l'installazione delle tubazioni di ritorno in perpendicolare e centrata rispetto alla bocca da collegare, al fine di evitare che la pompa e il tubo siano sottoposti a sforzi esterni che, oltre a rendere difficile il montaggio, potrebbero provocarne la rottura (Fig. 2).

- Installare i tubi di aspirazione con una leggera pendenza del 2% verso la pompa, per evitare la formazione di sacche d'aria (Fig. 2).

- Al fine di assicurare il corretto funzionamento della pompa, procedere all'avvio del prefiltro fino a quando l'acqua affiora dal condotto di aspirazione (Fig. 3).

## COLLOCAZIONE



- Montare la pompa al di sotto del livello dell'acqua della piscina o vasca, per migliorare il rendimento delle pompe.

- Se fosse necessario installare una pompa autoaspirante sopra il livello dell'acqua, il differenziale di pressione dell'aspirazione della pompa non dev'essere superiore a 0,02 MPa (2 mH<sub>2</sub>O), facendo in modo che il condotto di aspirazione sia il più corto possibile, poiché una tubatura più lunga incrementa il tempo di aspirazione e le perdite di carico dell'installazione.



- Fare in modo che la pompa sia protetta da possibili inondazioni e riceva una ventilazione con aria asciutta.

## INSTALLAZIONE ELETTRICA



- È imprescindibile utilizzare un dispositivo di disconnessione multipla con una separazione minima di 3 mm tra i contatti per scollegare l'apparecchio dalla alimentazione elettrica.

- Utilizzare un cavo fisso per il collegamento alla rete. In caso si utilizzi un cavo volante per il collegamento alla rete, questo dovrà essere dotato di terminali per il collegamento ai morsetti del motore della pompa.

- La macchina va collegata ad una presa di tensione a corrente alternata (Vedi dati su coperchio delle caratteristiche della pompa), con una connessione a terra, protetta con un interruttore differenziale (RCD) con una corrente di servizio residua assegnata che non ecceda i 30 mA.

- Regolare opportunamente il valore dell'interruttore differenziale in base all'intensità della pompa.

- Verificare il tipo di fusibile necessario prima di collegare il motore.

- Verificare la corretta disposizione e il collegamento del cavo di terra nell'installazione della macchina.
- Rispettare le condizioni di installazione e i collegamenti elettrici dato che, in caso contrario, il fabbricante della pompa declina ogni responsabilità e considera non valida la garanzia.
- È possibile che per l'installazione esistano regolamenti specifici.
- Pericolo di folgorazione in caso di collegamento a una rete non idonea.

Per questo motore, occorre considerare i seguenti punti:

- È dotato di termointerruttore incorporato.
- Utilizzare un salvamotore con protezione magnetotermica.
- I dati di regolazione del relè termico sono meramente illustrativi, dato che nel motore è già integrato un interruttore di protezione.
- Per 230 V utilizzare un cavo di giunta di tipo H07 RN-F3 e adattare la sezione del cavo alla potenza del motore e alla lunghezza del cavo.
- Per la corrente alternata, servirsi di un cavo di giunta tipo H07 RN-F3, nel quale la sezione del cavo si adatti alla potenza del motore e alla lunghezza del cavo.
- Per collegare il cavo alla rete è necessario rivolgersi a personale qualificato e autorizzato.

## 4. ISTRUZIONI DI MESSA IN SERVIZIO

### ASPETTI PRELIMINARI ALLA MESSA IN SERVIZIO



- Accorgimenti preliminari alla prima messa in servizio:

1. Smontare il coperchio del prefiltro svitando il dado che lo mantiene in posizione (Fig. 5).
  2. Riempire di acqua la pompa attraverso il prefiltro fino a quando l'acqua affiora dal condotto di aspirazione.
  3. Nel caso in cui, durante queste operazioni, il cesto fosse fuoriuscito dal prefiltro, provvedere a reinstallarlo al fine di evitare l'ingresso di particelle grosse all'interno della pompa, che potrebbero causarne il blocco.
  4. Verificare che la tensione e la frequenza della rete corrispondano a quelle riportate nella targhetta delle caratteristiche della pompa.
- Collocare il coperchio del prefiltro e chiuderlo avvitando, senza dimenticarsi di collocare la guarnizione nella sua sede (Fig. 5).
  - In nessun caso le pompe possono funzionare senza aver prima riempito d'acqua il prefiltro dato che, in caso contrario, si può danneggiare la guarnizione meccanica provocando la perdita d'acqua attraverso di essa.

### MESSA IN SERVIZIO



- Aprire tutte le valvole e accendere il motore.
- Effettuare l'avvio automatico del processo autoadescente e verificare che si realizzi in tempi ragionevoli.

## 5. MANUTENZIONE

Ogni 100 ore di funzionamento a seconda del livello di pulizia dell'acqua, devono essere controllati i seguenti punti:



- Pulire regolarmente il cesto del prefiltro per evitare cali di pressione. Non colpirlo durante il processo per evitare una possibile rottura del cesto.

- Se la pompa si ferma, verificare che il consumo in ampère del motore acceso sia uguale o inferiore al valore indicato nella targhetta delle caratteristiche del fabbricante o, in caso di assenza della stessa, rivolgersi al servizio di assistenza tecnica più vicino.



- Svuotare la pompa nei casi in cui debba rimanere inattiva per un periodo prolungato, in particolare nei Paesi freddi dove sussiste il rischio di congelamento.

- Per effettuare lo svuotamento della pompa, estrarre il tappo di spurgo.

- Ogni volta che si apre il prefiltro, togliere le impurità dalla sede della guarnizione e dalla guarnizione stessa per assicurare che la chiusura del coperchio sia a tenuta stagna (Fig. 5).

- Per mantenere il buon rendimento della pompa, sostituirla periodicamente i componenti che, per l'uso normale, sono soggetti a usura e/o deterioramento. Nella seguente tabella si elencano gli articoli soggetti a usura e/o di consumo della pompa, nonché si indica l'intervallo di sostituzione consigliato:

DESCRIZIONE DEL COMPONENTE	INTERVALLO DI SOSTITUZIONE
Cuscinetti	10.000 ore
Chiusura meccanica	10.000 ore
Giunti e altri elementi di tenuta <sup>(1)</sup>	10.000 ore
Pila del telecomando	2 anni

<sup>(1)</sup> L'apertura e la chiusura della pompa per la sostituzione di uno qualsiasi dei pezzi di ricambio interni non garantisce la successiva tenuta stagna. Per questo motivo, si consiglia di sostituire gli O-ring e gli elementi di tenuta ogni volta che si sostituiscono la tenuta meccanica e/o i cuscinetti.

Il periodo stimato di vita dei pezzi precedenti è stato stabilito in base alle normali condizioni d'uso e installazione del prodotto.

Seguire le istruzioni del manuale di installazione per mantenere il periodo di vita della pompa.

## 6. SMONTAGGIO



- È possibile smontare il gruppo del motore dal corpo della pompa senza necessità di scollegare le tubazioni di aspirazione e ritorno della pompa.

- Per smontare il gruppo del motore dal corpo della pompa, togliere le viti che li uniscono.



## 7. RISOLUZIONE DEI PROBLEMI

1. La pompa non si innesca
2. La portata della pompa è ridotta
3. La pompa fa rumore
4. La pompa non si avvia
5. Il motore fa rumore ma non si avvia
6. Arresto del motore

1	2	3	4	5	6	CAUSE	SOLUZIONI
●	●					Entrata di aria dalla tubazione di aspirazione	Verificare lo stato dei raccordi e delle guarnizioni del tubo di aspirazione
●						Tenuta insufficiente del coperchio del filtro	Pulire il coperchio del filtro e verificare lo stato della guarnizione di gomma
●	●					Rotazione invertita del motore	Invertire 2 fasi di alimentazione
●	●		●			Tensione erranea	Verificare il voltaggio della targhetta delle caratteristiche e quello della rete
	●					Prefiltro intasato	Pulire il filtro
	●					Perdite di carico nell'installazione	Evitare il più possibile che gli elementi generino perdite di carico
		●				Fissaggio non corretto della pompa	Fissare correttamente la pompa
				●		Motore bloccato	Smontare il motore e rivolgersi al servizio tecnico
					●	Aumento della temperatura nella morsettiera a causa di arco elettrico	Verificare i collegamenti della morsettiera
					●	Scatta il termointerruttore	Effettuare correttamente il collegamento dei cavi con i terminali della morsettiera
					●	Collegamenti della morsettiera non corretti	Stringere correttamente il cavo con il terminale / adeguare la misura del collegamento del cavo ai terminali della morsettiera



# PUMPE VICTORIA PLUS SILENT VS

## ALLGEMEINE BESCHREIBUNG

Das wichtigste Merkmal der Pumpe mit variabler Geschwindigkeit ist die Möglichkeit, die Geschwindigkeit je nach Nutzungsbedarf zu ändern.

Generell erfolgt der Filtervorgang bei der minimalen in der Anlage zulässigen Geschwindigkeit, um die Energiesparfunktionen, den geringen Geräuschpegel und die Verbesserung der Filterqualität optimal zu nutzen. Zu diesem Zweck müssen Sie die Filterzeiten entsprechend anpassen, da sich bei geringerer Geschwindigkeit auch der Durchfluss vermindert.

Sehr wahrscheinlich verfügen Sie über Schwimmbadzubehöreile, zu deren Betrieb die Pumpe laufen muss. Dabei kann es sich um sehr unterschiedliche Elemente handeln, z. B. Reinigungssysteme, Klimatisierung, Chemikaliendosierung usw. In den meisten Fällen funktionieren diese Geräte bei niedriger Geschwindigkeit einwandfrei. Sollte dies nicht der Fall sein, können Sie die Betriebsgeschwindigkeit zur Nutzung zusammen mit diesen Geräten wie erforderlich erhöhen.

Wenn Schockbehandlungen mit Chemikalien bzw. zur Reinigung durchgeführt werden, wird empfohlen, hohe Geschwindigkeiten zu nutzen. Rückspülvorgänge für den Filter erfolgen immer bei hohen Geschwindigkeiten.

Entsprechend den obigen Hinweisen müssen Sie bei der Konfiguration und Programmierung der Zeiten nicht nur die Betriebszeiten berücksichtigen, sondern auch die benötigten Geschwindigkeiten.

## EMPFEHLUNGEN FÜR FILTERZEITEN MIT VARIABLER GESCHWINDIGKEIT

Generell erfolgt der Betrieb während der meisten Zeit bei mittlerer Geschwindigkeit, es wird aber immer ein Zeitraum bei hoher bzw. niedriger Geschwindigkeit eingeplant. Als Ausgangswerte wird ein Verhältnis von 15 % der Gesamtzeit bei hoher Geschwindigkeit, 55 % bei mittlerer Geschwindigkeit und 30 % bei niedriger Geschwindigkeit empfohlen. Wenn variable Geschwindigkeit genutzt wird, muss die Gesamtbetriebszeit anteilig entsprechend der Verringerung des Wasserdurchflusses der Pumpe bei niedrigeren Geschwindigkeiten erhöht werden.

Im Fall von Pools mit geringem Fassungsvermögen wird empfohlen, die Filterreinigung und/oder oberflächliche Wasserreinigung bei hoher Geschwindigkeit und die allgemeine Filterung bei mittlerer und niedriger Geschwindigkeit durchzuführen.

Werkseitiges Konfigurationsbeispiel für den täglichen Betrieb in einer bestimmten Anlage (\*):

GESCHWINDIGKEIT	DURCHFLUSS (*)	BETRIEBSZEIT	ERNEUERTES WASSERVOLUMEN
Hoch (2750 U/min)	17 m <sup>3</sup> /h	8:00 bis 9:00 Uhr	17 m <sup>3</sup> /h x 1h = 17 m <sup>3</sup>
Mittel (2100 U/min)	12 m <sup>3</sup> /h	9:00 bis 14:00h Uhr	12 m <sup>3</sup> /h x 5h = 60 m <sup>3</sup>
Niedrig (1400 U/min)	8 m <sup>3</sup> /h	14:00 bis 16:00 Uhr	8 m <sup>3</sup> /h x 2h = 16 m <sup>3</sup>
Hoch (2750 U/min)	17 m <sup>3</sup> /h	16:00 bis 17:00 Uhr	17 m <sup>3</sup> /h x 1h = 17 m <sup>3</sup>
Mittel (2100 U/min)	12 m <sup>3</sup> /h	17:00 bis 20:00 Uhr	12 m <sup>3</sup> /h x 3h = 36 m <sup>3</sup>
Niedrig (1400 U/min)	8 m <sup>3</sup> /h	20:00 bis 22:00 Uhr	8 m <sup>3</sup> /h x 2h = 16 m <sup>3</sup>
			<b>162 m<sup>3</sup></b>
			<b>Gesamtes erneuertes Volumen</b>

(\*) Die Konfiguration muss entsprechend den Filteranforderungen und dem durch die Pumpe in der Anlage bereitgestellten Wasserdurchfluss (abhängig von den Rohrdurchmessern, installierten Ventilen, Filtern, Reduzierungen, Düsen usw.) angepasst werden, um sicherzustellen, dass mit der zugewiesenen Gesamtzeit in den verschiedenen Betriebsgeschwindigkeiten und den entsprechenden Durchflüssen mindestens einmal täglich das gesamte Wasservolumen erneuert wird.

## HÄUFIG GESTELLTE FRAGEN

### 1. Können Ansaug-Bodenreiniger bei niedriger Geschwindigkeit betrieben werden?

Das Angebot bei Ansaug-Bodenreinigern ist sehr groß, und die Leistungen hinsichtlich Durchfluss-Ansaugung, die sie benötigen, können zwischen den einzelnen Modellen stark schwanken. In den meisten Fällen muss bei Inbetriebnahme des Bodenreinigers zwischen den Wasseranschlüssen am Boden, Skimmern und Ansaugung abgewogen werden.

Somit ist die Wahrscheinlichkeit hoch, dass Ihr Ansaug-Bodenreiniger bei niedriger Geschwindigkeit ordnungsgemäß funktioniert, wenn zuvor die genannten Anschlüsse korrekt angepasst wurden. Sollte dies nicht der Fall sein, haben Sie immer die Möglichkeit, für die Betriebszeit des Bodenreinigers eine zusätzliche Zeit in hoher Geschwindigkeit zu konfigurieren.

### 2. Kann mein Klimatisierungssystem bei niedriger Geschwindigkeit betrieben werden?

Im Allgemeinen ja, vorausgesetzt, es handelt sich um ein durchflussgesteuertes System (Strömungswächter). Die meisten Klimatisierungssysteme benötigen einen Mindestdurchfluss von  $6 \text{ m}^3/\text{h}$ , um korrekt zu funktionieren. Dieser Mindestdurchfluss ist bei niedrigen Geschwindigkeiten garantiert (außer in den Fällen, in denen der Filter bereits eine Rückspülung benötigt).

Sollte Ihr Klimatisierungssystem über Drucksteuerung verfügen (Druckwächter), muss bedacht werden, dass die Installation möglicherweise nicht über ausreichend Druck für den Betrieb bei niedrigen Geschwindigkeiten verfügt. In diesem Fall muss für das Klimatisierungssystem die Betriebsgeschwindigkeit der Pumpe erhöht werden.

### 3. Kann mein Chemikalien-Dosiersystem bei niedriger Geschwindigkeit betrieben werden?

In den meisten Fällen ja. Ein Großteil der Produktdosiersysteme benötigen einen Mindestdurchfluss zwischen 3 und  $5 \text{ m}^3/\text{h}$  (im Fall von Salzelektrolysegeräten). Dieser Durchfluss ist bei niedrigen Geschwindigkeiten unter allen Umständen gewährleistet.

Sie müssen jedoch den Mindestbetriebsdurchfluss Ihres Dosiersystems prüfen, um sicherzustellen, dass dieser unter dem Durchfluss der Anlage bei niedrigen Geschwindigkeiten liegt.

### 4. Muss ich eine eigene Steuereinheit für den Betrieb der Pumpe Victoria Plus Silent VS installieren?

Nein. Die Pumpe benötigt nur eine konventionelle Stromversorgung. Es wird keine eigene Steuereinheit benötigt.

### 5. Müssen die Installation und die Rohre verändert werden, um die Pumpe Victoria Plus Silent VS zu installieren?

Die Installation der Pumpe Victoria Plus Silent VS erfordert keine besonderen Abmessungen und keine Änderung am Design der Installation. Hinsichtlich der Abmessungen müssen die Betriebsmerkmale der Pumpe bei TURBO-Geschwindigkeit berücksichtigt werden.

### 6. Muss ich Vorsichtsmaßnahmen treffen, wenn ich nur die ECO-Geschwindigkeit nutzen möchte?

Wenn Sie nie hohe Geschwindigkeiten verwenden möchten, müssen Sie berücksichtigen, dass der Filterdruck immer unterhalb des als „Filter schmutzig“-Punktes markierten Drucks liegen wird. In diesem Fall wird empfohlen, diesen Punkt der Anlage entsprechend zu verringern, wobei der Verschmutzungsgrad des Filters visuell begutachtet wird.

Es wird jedoch die Programmierung eines Zyklus bei hohen Geschwindigkeiten pro Tag empfohlen.

### 7. Kann ich Probleme mit der Befüllung der Pumpe bekommen?

Die Selbstansaugkapazität ist bei niedrigen Geschwindigkeiten geringer als bei hohen. Wenn Sie feststellen, dass die Pumpe ihre Füllung verliert, müssen Sie einen Zyklus in hoher Geschwindigkeit beim Start programmieren, um eine rasche Befüllung der Pumpe zu gewährleisten.

### 8. Wirkt sich die Pumpe Victoria Plus Silent VS auf das Beleuchtungssystem aus?

Nein. Es handelt sich um unabhängige elektrische Schaltkreise.

## WICHTIG

Dieses Handbuch enthält wesentliche Informationen über die Sicherheitsvorkehrungen, die bei der Installation und Inbetriebnahme zu treffen sind. Daher ist es unbedingt erforderlich, dass sowohl der Installateur als auch der Benutzer vor Beginn der Montage und Inbetriebnahme diese Anweisungen lesen.

Dieses Handbuch kann als PDF von der folgenden Seite heruntergeladen werden: [www.astralpool.com](http://www.astralpool.com)

## 1. ALLGEMEINE SICHERHEITSVORSCHRIFTEN

Diese Symbole (    ) weisen auf eventuelle Gefahren infolge der Nichtbeachtung der entsprechenden Vorschriften hin.



**GEFAHR. Stromschlagrisiko.**

Die Nichtbeachtung dieser Bestimmung birgt ein Stromschlagrisiko.



**GEFAHR.**

Die Nichtbeachtung dieser Bestimmung birgt ein Risiko von Personen- oder Sachschäden.



**ACHTUNG.**

Die Nichtbeachtung dieser Bestimmung birgt ein Risiko von Schäden an der Pumpe oder der Anlage.

## 2. ALLGEMEINE SICHERHEITSBESTIMMUNGEN

### ALLGEMEINES



- Die in diesem Handbuch behandelten Maschinen sind speziell für die Vorfiltration und die Umwälzung des Wassers in Schwimmbecken ausgelegt.

- Sie sind für den Betrieb mit sauberem Wasser bei Temperaturen von max. 35 °C ausgelegt.



- Installation gemäß den besonderen Bedingungen jedes Einsatzortes realisieren.

- Gültige Vorschriften zur Unfallverhütung einhalten.

- Vor jeder Änderung an der Pumpe muss die Genehmigung des Herstellers eingeholt werden. Die Original-Ersatzteile und das vom Hersteller zugelassene Zubehör gewährleisten einen hohen Sicherheitsgrad. Der Hersteller der Pumpe lehnt jede Haftung für Schäden aufgrund des Einsatzes von nicht zugelassenen Ersatz- oder Zubehörteilen ab.



- Bei Arbeiten an der Maschine oder daran angeschlossenen Baugruppen müssen sie vorher vom Netz und den Inbetriebnahmeverrichtungen getrennt werden, da während des Betriebs die elektrischen Teile der Pumpe unter Spannung stehen.



- Montage- und Wartungsarbeiten müssen von zugelassenen Fachkräften ausgeführt werden, die vorher die Installations- und Betriebsanleitungen aufmerksam gelesen haben.

- Installations- und Betriebsanweisungen einhalten, um die Betriebssicherheit der Maschine zu gewährleisten.

- Bei Betriebsstörungen oder Defekten wenden Sie sich an den Lieferanten oder die nächstgelegene Vertretung.

## WARNHINWEISE FÜR DIE INSTALLATIONS- UND MONTAGEARBEITEN

- Nach dem Auspacken der Pumpe darf diese nur an der Ansaugöffnung und am Motorgehäuse, und dabei ausschließlich an beiden dieser Punkte gleichzeitig angehoben werden.



- Nur in Fällen, in denen ein Eingriff am Klemmkasten des Motors erforderlich ist, muss beim Anschluss der elektrischen Kabel an das Gerät auf die Anordnung im Inneren des Klemmkastens geachtet werden. Prüfen Sie, dass nach dem Verschluss keine Kabelstücke im Inneren geblieben sind und dass der Erdleiter richtig angeschlossen ist.

- Nur in Fällen, in denen ein Eingriff am Klemmkasten des Motors erforderlich ist, muss beim Anschluss der elektrischen Kabel an den Klemmkasten des Geräts darauf geachtet werden, dass sie gut sitzen und fest an den Anschlüssen festgezogen werden.

- Das Gerät muss an einen Wechselstromanschluss mit Erdung angeschlossen werden (siehe Daten auf der Plakette mit den Eigenschaften der Pumpe). Dieser muss durch ein Differential (RCD) mit höchstens 30 mA gesichert sein.

- Dichtung des Klemmenkastens des Elektromotors richtig einsetzen, um den Eintritt von Wasser zu verhindern. Ebenso sicherstellen, dass die Stopfbüchse in der Kabeldurchführung des Klemmenkastens eingesetzt und angezogen wurde.



- Insbesondere darauf achten, dass unter keinen Umständen Wasser in den Motor und die spannungsführenden Teile eindringen kann.

- Bei anderweitiger Verwendung als angegeben sind Umbauten und ergänzende technische Vorschriften erforderlich.

## WARNHINWEISE FÜR DIE INBETRIEBNAHME



- Vor der Inbetriebnahme der Maschine die Auslegung der elektrischen Absicherungen des Motors und die korrekte Position und Befestigung der Schutzvorrichtungen gegen elektrische und mechanische Berührungen prüfen.

### HINWEIS

Das Becken bei laufender Pumpenanlage nicht benutzen.

Wenn Personen mit dem Wasser in Berührung sind, darf die Pumpe nicht verwendet werden.

## WARNHINWEISE FÜR DIE MONTAGE- UND WARTUNGSARBEITEN



- Für die Montage und Installation der Pumpen sind die länderspezifischen Montage- und Installationsvorschriften zu beachten.



- Insbesondere darauf achten, dass unter keinen Umständen Wasser in den Motor und die spannungsführenden Teile eindringen kann.

- Unter keinen Umständen - auch nicht unbeabsichtigt - die beweglichen Teile der Maschine während des Betriebs bzw. vor ihrem völligen Stillstand berühren.



- Vor Arbeiten an der Maschine abwarten, bis sie vollkommen zum Stillstand gekommen ist.



- Vor elektrischen oder mechanischen Wartungsarbeiten Maschine vom Netz trennen und Einschaltvorrichtungen blockieren.

- Vor Arbeiten an der Maschine sind nachstehende Schritte zu befolgen



1. Die Maschine spannungslos machen.

2. Die Einschaltvorrichtungen blockieren.



3. Sicherstellen, dass an den Stromkreisen - auch an den Neben- und Zubehör-Stromkreisen - keine Spannung anliegt.

4. Warten, bis das Laufrad vollkommen zum Stillstand gekommen ist.

Die obige Liste versteht sich orientativ; sie ist möglicherweise nicht vollständig, da zusätzliche Anforderungen der Landesgesetze hinsichtlich der Sicherheit vorliegen können.



-Regelmäßig kontrollieren:

- die korrekte Befestigung der mechanischen Teile und den Zustand der Befestigungsschrauben der Maschine.
- die korrekte Position, Befestigung und den Zustand der Netzkabel und Isolierungen.
- die Temperatur der Maschine und des Elektromotors. Bei Störungen die Maschine sofort ausschalten und den technischen Kundenservice in Ihrer Nähe kontaktieren.
- Vibrationen an der Maschine. Bei Störungen die Maschine sofort ausschalten und den technischen Kundenservice in Ihrer Nähe kontaktieren.



-Die Installations-, Bedienungs- und Wartungsanleitungen dieses Handbuchs können aufgrund der Komplexität nicht alle möglichen und vorstellbaren Betriebs- und Wartungsfälle behandeln. Wenn Sie zusätzliche Anweisungen benötigen oder spezifische Probleme auftreten, kontaktieren Sie bitte den technischen Kundenservice in Ihrer Nähe.

Die elektrische Installation muss von dazu qualifizierten Fachleuten vorgenommen werden. Diese Anlage ist nicht geeignet für Personen mit körperlicher, mentaler oder Wahrnehmungseinschränkung oder ohne Erfahrung, es sei denn, sie werden während der Benutzung von einem Sicherheitsverantwortlichen beaufsichtigt.

Weder Kinder noch Erwachsene dürfen sich auf das Gerät stützen oder sich daran anlehnen. Kinder müssen beaufsichtigt werden, um sicher zu stellen, dass sie nicht mit dem Gerät spielen.

Dieses Gerät kann von Kindern ab 8 Jahren und Personen mit eingeschränkten körperlichen, sensorischen oder geistigen Fähigkeiten bzw. mangelnder Erfahrung und Kenntnissen verwendet werden, wenn sie beaufsichtigt werden bzw. ihnen gezeigt wurde, wie sie das Gerät auf sichere Weise verwenden können und sie die möglichen Gefahren verstehen.

Die Reinigung und Benutzerinstandhaltung darf nicht durch unbeaufsichtigte Kinder durchgeführt werden.

## 3. INSTALLATION UND MONTAGE

### ALLGEMEINES



- Die Montage und Installation unserer Pumpen ist nur an Schwimmbecken oder Teichen zulässig, die die Norm HD 384.7.702 erfüllen. Fragen Sie im Zweifelsfall Ihren Spezialisten.

- Die Installation muss der Norm IEC 60364-7-702 für Schwimmbäder entsprechen.

- Die Pumpe muss in den Zonen 1 und 2 installiert werden.



- Aufgrund des Vorfilters ist die Pumpe horizontal zu montieren. Die Pumpen besitzen einen Vorfilter mit einem eingebauten Korb, der größere Partikel herausfiltert, da diese die wasserführenden Teile der Pumpe beschädigen können.

- Alle Pumpen sind mit einem Ständer mit Bohrungen zur Bodenverankerung ausgestattet (Abb. 1).

### ROHRLEITUNGEN



- Der Anschluss der Rohrleitungen muss durch Verklebung mit den mitgelieferten Anschlüssen erfolgen; der Anschluss an den Saug- und Druckstutzen der Pumpe besteht aus Schraubverbindungen mit Dichtungen zur Vermeidung von Lecks an diesen Anschlüssen (Abb. 2).

- Die Installation der druckseitigen Rohrleitungen absolut senkrecht und genau mittig zum Stutzen realisieren, damit Pumpe und Rohrleitung keinen externen Beanspruchungen ausgesetzt werden, die nicht nur die Montage erschweren, sondern auch zum Bruch führen könnten (Abb. 2).

- Die saugseitigen Rohrleitungen zur Vermeidung von Luftblasenbildung leicht fallend (2%) zur Pumpe verlegen (Abb. 2).

- Damit die Pumpe korrekt funktioniert, muss der Vorfilter entlüftet werden, bis Wasser an der Saugleitung ausläuft (Abb. 3).

### AUFSTELLUNGORT



- Zur Verbesserung der Leistung die Pumpe unterhalb des Wasserspiegels des Schwimmbeckens bzw. Teichs montieren.

- Falls eine selbstansaugende Pumpe über dem Wasserniveau zu installieren ist, darf der Druckunterschied zur Absaugung der Pumpe nicht mehr als 0,02 MPa (2 mH<sub>2</sub>O) betragen, damit der Ansaugvorgang so kurz wie möglich gehalten wird. Eine längere Rohrleitung erhöht die Ansaugzeit und den Ladeverlust der Anlage.



- Sicherstellen, dass die Pumpe vor etwaigen Überflutungen geschützt ist und eine trockene Belüftung erhält.

### ELEKTROINSTALLATION



- Es muss unbedingt ein Allpolschalter mit einem Mindestabstand von 3 mm zwischen den Kontakten verwendet werden, um das Gerät von der Stromversorgung trennen zu können.



- Zum Netzanschluss ein Massivleiterkabel verwenden. Sollte ein Litzenkabel für den Netzanschluss verwendet werden, muss es mit Kabelschuhen zum Anschluss an die Klemmen des Pumpenmotors versehen werden.
- Das Gerät muss an einen Wechselstromanschluss mit Erdung angeschlossen werden (siehe Daten auf der Plakette mit den Eigenschaften der Pumpe). Dieser muss durch ein Differential (RCD) mit höchstens 30 mA gesichert sein.
- Den Wert des Restspannungsschalters entsprechend der Pumpenintensität anpassen.
- Vor dem Anschluss des Motors den erforderlichen Sicherungstyp ermitteln.
- Die korrekte Anordnung und Verbindung des Erdungskabels bei der Installation des Geräts überprüfen.
- Elektrische Installations- und Anschlussbedingungen einhalten, da sonst der Pumpenhersteller jegliche Haftung ablehnt und die Gewährleistung als wirkungslos betrachtet.
- Es können spezifische Installationsvorschriften vorhanden sein.
- Bei falschem Netzanschluss besteht ein Stromschlagrisiko.

Für diesen Motor müssen die folgenden Punkte beachtet werden:

- Überhitzungsschutz ist eingebaut.
- Motorschutzschalter mit thermisch-magnetischer Auslösung verwenden.
- Die Einstellungsdaten des Thermorelais dienen nur zur Information, da im Motor ein Schutz eingebaut ist.
- Bei 230 V ein Anschlusskabel Typ H07 RN-F3 mit einem der Motorleistung und der Kabellänge entsprechenden Leiterquerschnitt verwenden.
- Bei Wechselstrom ein Anschlusskabel Typ H07 RN-F3 mit einem der Motorleistung und der Kabellänge entsprechenden Leiterquerschnitt verwenden.
- Das Netzkabel darf nur von zugelassenen Fachkräften angeschlossen werden.

## 4. ANLEITUNGEN ZUR INBETRIEBNAHME

### VOR DER INBETRIEBNAHME



- Maßnahmen vor der ersten Inbetriebnahme:

1. Den Deckel des Vorfilters abnehmen. Hierzu die Befestigungsmutter abschrauben (Abb. 5).
  2. Die Pumpe durch den Vorfilter mit Wasser füllen, bis es durch die Saugleitung ausläuft.
  3. Wenn dabei der Korb entnommen wurde, wieder im Vorfilter einsetzen, damit keine größeren Partikel in die Pumpe gelangen und diese blockieren.
  4. Prüfen, dass die Spannung und Frequenz des Netzes dem Typenschild der Pumpe entsprechen.
- Den Deckel des Vorfilters montieren und festschrauben. Dabei nicht vergessen, die Dichtung einzusetzen (Abb. 5).
  - Die Pumpen dürfen unter keinen Umständen laufen, ohne dass der Vorfilter mit Wasser gefüllt ist. Sonst wird die mechanische Dichtung beschädigt und undicht.

## INBETRIEBNAHME



- Alle Ventile öffnen und den Motor anschließen.
- Automatische Entlüftung der Rohrleitungen vornehmen. Hierfür angemessen lange warten.

## 5. WARTUNG

Alle 100 Betriebsstunden müssen je nach Sauberkeitsgrad des Wassers folgende Punkte geprüft werden:



- Den Korb des Vorfilters regelmäßig reinigen, um Druckabfälle zu vermeiden. Korb beim Reinigen nicht ausklopfen, da er brechen könnte.
- Wenn die Pumpe stehen bleibt, prüfen, ob die Stromaufnahme des Motors in Ampere dem Typenschild des Herstellers entspricht. Andernfalls den nächsten Kundendienst verständigen.



- Die Pumpe leeren, wenn sie längere Zeit nicht in Betrieb genommen wird (insbesondere in kalten Ländern mit Frostgefahr).
  - Zum Entleeren der Pumpe die Ablassschraube öffnen.
  - Bei jedem Öffnen des Vorfilters Verunreinigungen am Dichtungssitz und der Dichtung entfernen, um die Dichtigkeit des Deckelverschlusses zu gewährleisten (Abb. 5).
  - Die Bauteile der Pumpe mit normalem Verschleiß bzw. Abnutzung müssen regelmäßig ersetzt werden, damit die Leistungsfähigkeit der Pumpe nicht beeinträchtigt wird. In der folgenden Tabelle sind die fungiblen und / oder Verbrauchsteile der Pumpe und der Zeitraum aufgeführt, in dem sie ausgetauscht werden müssen.

BAUTEILBESCHREIBUNG	ERSETZEN NACH
Lager	10.000 Std
Mechanischer Verschluss	10.000 Std
Fugen und andere Dichtungselemente <sup>(1)</sup>	10.000 Std
Steuerbefehlsbatterie	2 Jahren

<sup>(1)</sup> Das Öffnen und Schließen der Pumpe für den Austausch von inerten Ersatzteilen garantiert keine anschließende Dichtigkeit. Aus diesem Grund wird empfohlen, die O-Ringe und Dichtungselemente zu ersetzen, wenn die Gleitringdichtung und / oder Lager ausgetauscht werden.

Die geschätzte Lebensdauer obiger Bauteile entspricht normalen Nutzungs- und Installationsbedingungen des Produkts.

Zur Verlängerung der Lebensdauer der Pumpe die Anweisungen des Installationshandbuchs befolgen.

## 6. DEMONTAGE



- Die Motor-Baugruppe kann vom Pumpengehäuse abgebaut werden, ohne die Saug- und Druckleitung der Pumpe abzutrennen.

- Zum Abnehmen der Motor-Baugruppe vom Pumpengehäuse die Verbindungsschrauben lösen.

## 7. STÖRUNGSTABELLE

- |                                   |  |
|-----------------------------------|--|
| 1. Die Pumpe entlüftet sich nicht | 4. Die Pumpe läuft nicht an                          |
| 2. Die Pumpe fördert wenig Wasser | 5. Der Motor macht Geräusche, er läuft aber nicht an |
| 3. Die Pumpe verursacht Geräusche | 6. Der Motor bleibt stehen                           |

1	2	3	4	5	6	URSACHEN	LÖSUNGEN
●	●					Lufttritt über die Saugleitung	Zustand der Anschlüsse und Dichtungen der Saugleitung prüfen
●						Mangelnde Dichtigkeit des Filterdeckels	Den Filterdeckel reinigen und den Zustand der Gummidichtung prüfen
●	●					Falsche Laufrichtung des Motors	2 Pole der Netzversorgung vertauschen
●	●		●			Falsche Spannung	Spannungsangaben von Typenschild und Netz prüfen
	●					Der Vorfilter ist verstopft	Den Filter reinigen
	●					Lastverlust in der Installation	Möglichst verhindern, dass die Elemente Lastverlust verursachen
		●				Unsachgemäße Befestigung der Pumpe	Die Pumpe korrekt befestigen
				●		Der Motor blockiert	Den Motor ausbauen und zum Kundendienst bringen
					●	Temperaturanstieg im Klemmenkasten aufgrund eines Spannungsbogens	Die Anschlüsse im Klemmenkasten prüfen
					●	Der Überhitzungsschutz wird ausgelöst	Die Anschlüsse der Kabel an die Klemmen im Klemmenkasten fachgerecht vornehmen
					●	Die Anschlüsse im Klemmenkasten sind mangelhaft	Das Kabel mit der Klemme fest anziehen / Die Größe der Kabelverbindung an die Klemmen des Klemmenkastens anpassen



# BOMBA VICTORIA PLUS SILENT VS

## DESCRIÇÃO GERAL

A principal característica da bomba de velocidade variável é a possibilidade de variar a velocidade em função das necessidades de utilização.

Geralmente, o processo de filtragem é realizado à velocidade mínima permitida pela instalação com o objetivo de tirar o melhor partido das características de poupança energética, baixo nível de ruído e melhoria da qualidade de filtragem. Em conformidade, deverá ajustar adequadamente os tempos de filtragem uma vez que o caudal de fornecimento diminui a velocidades inferiores.

É muito provável que tenha elementos acessórios para a piscina que exijam que a bomba esteja em funcionamento para funcionarem. Esses elementos podem variar significativamente: sistemas de limpeza, climatização, dosagem de produto químico, etc. Na maioria dos casos estes equipamentos funcionam corretamente a baixa velocidade. Caso contrário, pode aumentar a velocidade de operação e funcionar com esses equipamentos em função das suas necessidades.

Se realizar tratamentos de choque de produto químico ou de limpeza, propõe-se a utilização de velocidades altas. Relativamente às operações de contralavagem do filtro, estas são sempre realizadas a velocidades altas.

Com base nas observações anteriores, deverá configurar a programação horária tendo em conta não só o tempo de funcionamento, mas também a velocidade de funcionamento.

## RECOMENDAÇÕES DE TEMPOS DE FILTRAGEM COM VELOCIDADE VARIÁVEL

Geralmente, a maior parte do tempo de operação é passado em velocidade média, embora seja sempre mantido um período de tempo a alta e baixa velocidade. Uma percentagem de partida recomendada é cerca de 15% do tempo total a alta velocidade, cerca de 55% a média velocidade e cerca de 30% a baixa velocidade. Com a utilização da velocidade variável, o tempo total de funcionamento deve ser aumentado proporcionalmente à redução do caudal de fornecimento da bomba quando se trabalha a velocidades inferiores.

No caso de piscinas com volumes pequenos, recomenda-se a utilização da velocidade alta para lavagens de filtro e/ou limpeza superficial da água e velocidade média e baixa para a filtragem geral.

Exemplo de configuração de fábrica diária numa determinada instalação (\*):

VELOCIDADE	CAUDAL (*)	TEMPO DE FUNCIONAMENTO	VOLUME DE ÁGUA RENOVADO
Alta (2750 RPM)	17 m <sup>3</sup> /h	8h00 às 9h00	17 m <sup>3</sup> /h x 1h = 17 m <sup>3</sup>
Média (2100 RPM)	12 m <sup>3</sup> /h	9h00 às 14h00	12 m <sup>3</sup> /h x 5h = 60 m <sup>3</sup>
Baixa (1400 RPM)	8 m <sup>3</sup> /h	14h00 às 16h00	8 m <sup>3</sup> /h x 2h = 16 m <sup>3</sup>
Alta (2750 RPM)	17 m <sup>3</sup> /h	16h00 às 17h00	17 m <sup>3</sup> /h x 1h = 17 m <sup>3</sup>
Média (2100 RPM)	12 m <sup>3</sup> /h	17h00 às 20h00	12 m <sup>3</sup> /h x 3h = 36 m <sup>3</sup>
Baixa (1400 RPM)	8 m <sup>3</sup> /h	20h00 às 22h00	8 m <sup>3</sup> /h x 2h = 16 m <sup>3</sup>
			<b>162 m<sup>3</sup></b>
			<b>Volume total renovado</b>

(\*) A configuração de série deve ser ajustada consoante os requisitos de filtragem e o caudal fornecido pela bomba na instalação (dependendo dos diâmetros dos tubos, das válvulas instaladas, dos filtros, das reduções, boquilhas, etc.), garantindo que com o tempo total atribuído às diferentes velocidades de funcionamento e os seus correspondentes caudais de fornecimento o volume total da água se renove pelo menos uma vez por dia.

## PERGUNTAS FREQUENTES

### 1. Os limpa-fundos de aspiração podem funcionar a baixa velocidade?

A oferta de limpa-fundos de aspiração é muito vasta e o desempenho caudal-aspiração de que necessitam varia consideravelmente de uns para outros. Na maioria dos casos, o arranque do limpa-fundos obriga à realização de um equilíbrio entre as tomadas de água de fundo, os skimmers e a aspiração.

Em conformidade, é altamente provável que o seu limpa-fundos de aspiração funcione corretamente a baixas velocidades após o ajuste das tomadas anteriormente mencionadas. No entanto, se não for o caso, pode sempre configurar um tempo adicional a alta velocidade para a utilização do limpa-fundos.

### 2. O meu sistema de climatização pode funcionar a baixa velocidade?

Em geral sim, sempre que o seu sistema seja controlado pelo caudal (fluxóstato). A maioria dos sistemas de climatização exige um caudal mínimo de 6 m<sup>3</sup>/h para funcionar corretamente. Este caudal mínimo é garantido a baixas velocidades (exceto nos casos em que o filtro já esteja a exigir uma contralavagem).

Se o seu sistema de climatização tiver um controlo de pressão (pressóstato) deverá ter em conta que a instalação pode não ter a pressão suficiente quando trabalha a velocidades baixas, pelo que o sistema de climatização exigirá o aumento da velocidade de funcionamento da bomba.

### 3. O meu sistema de dosagem de produto químico pode funcionar a baixa velocidade?

Na maioria dos casos, sim. Grande parte dos sistemas de dosagem de produto exige caudais mínimos entre 3 e 5 m<sup>3</sup>/h, como no caso dos equipamentos de eletrólise de sal. Este caudal é garantido a baixas velocidades em todas as condições.

Todavia, deve verificar o caudal mínimo de funcionamento do seu sistema de dosagem para certificar-se de que é inferior ao da instalação ao funcionar a baixas velocidades.

### 4. Devo instalar um quadro de comando específico para operar a bomba Victoria Plus Silent VS?

Não. A bomba só exige um fornecimento de eletricidade convencional. Não é necessário um quadro de comando específico.

### 5. É necessário modificar a instalação e os tubos para instalar a bomba Victoria Plus Silent VS?

A instalação da bomba Victoria Plus Silent VS não implica dimensionamento especial nem alterações na conceção da instalação. Para o dimensionamento, devem ser tidas em conta as características de funcionamento da bomba na velocidade TURBO.

### 6. Devo tomar precauções no caso de pretender utilizar apenas a velocidade ECO?

Caso não pretenda utilizar velocidades altas deverá ter em conta que a pressão no filtro será sempre mais baixa do que a marcada como "ponto de filtro sujo". Nesse caso, recomenda-se baixar este ponto para o adequado para a instalação, com uma confirmação visual do grau de limpeza do filtro.

No entanto, recomenda-se a programação de um ciclo diário a velocidades altas.

### 7. Posso ter problemas ao acionar a bomba?

A capacidade de autoaspiração a baixas velocidades é menor do que a altas velocidades. Se detetar que a bomba perde força, deverá programar o ciclo de velocidade alta no arranque com a finalidade de assegurar o acionamento rápido da bomba.

### 8. O sistema de iluminação pode ser afetado pela bomba Victoria Plus Silent VS?

Não. São circuitos elétricos independentes.

## IMPORTANTE

O manual fornecido contém informação fundamental sobre as medidas de segurança a adotar durante as fases de instalação e colocação em funcionamento. Por isso, é imprescindível que tanto o instalador como o utilizador leiam as instruções antes de realizar as operações de montagem e colocação em funcionamento.

O manual pode ser descarregado em pdf no seguinte site: [www.astralpool.com](http://www.astralpool.com)

## 1. INDICAÇÕES GERAIS DE SEGURANÇA

Esta simbologia (    ) indica a possibilidade de perigo em consequência do desrespeito das indicações correspondentes.



**PERIGO. Risco de eletrocussão.**

A não advertência para este perigo representa um risco de eletrocussão.



**PERIGO.**

A não advertência para este perigo representa um risco de danos em pessoas ou bens.



**ATENÇÃO.**

A não advertência para este perigo representa um risco de danos na bomba ou na instalação.

## 2. NORMAS GERAIS DE SEGURANÇA

### ASPETOS GERAIS



- As máquinas apresentadas neste Manual foram especialmente concebidas para obter a pré-filtragem e a recirculação da água nas piscinas.

- Foram concebidas para trabalhar com águas limpas e com temperaturas não superiores a 35 °C.



- Efetuar a instalação com base nas indicações específicas de cada aplicação.

- Respeitar as normas vigentes para a prevenção de acidentes.

- Para qualquer alteração na bomba é necessária a autorização prévia do fabricante. As peças sobresselentes originais e os acessórios autorizados pelo fabricante servem para garantir maior segurança. O fabricante da bomba fica isento de qualquer responsabilidade por danos causados pela utilização de peças sobresselentes ou acessórios não autorizados.



- Ao efetuar trabalhos em cada máquina ou nos equipamentos a esta ligados, é necessário desligar o equipamento da fonte de alimentação e os dispositivos de arranque, uma vez que durante o funcionamento as peças elétricas da bomba estão sob tensão.

- O utilizador deve certificar-se de que os trabalhos de montagem e manutenção são realizados por pessoas autorizadas e qualificadas, e que estas pessoas conhecem pormenorizadamente as instruções de instalação e serviço.



- Cumprir todas as instruções de instalação e serviço para garantir o funcionamento seguro da máquina.

- Em caso de funcionamento defeituoso ou avaria, dirija-se ao seu fornecedor ou ao representante oficial mais próximo.

## ADVERTÊNCIAS PARA OS TRABALHOS DE INSTALAÇÃO E MONTAGEM



- Apenas para casos que exijam intervir na caixa de terminais do motor durante a ligação dos cabos elétricos ao motor da máquina: prestar atenção à disposição no interior da caixa de junção, verificar que não ficam pedaços de fios no interior após o fecho e que o condutor de terra está corretamente ligado.

- Apenas para casos que exijam intervir na caixa de terminais do motor: assegurar as ligações dos cabos elétricos à caixa de terminais da máquina de maneira a que fiquem bem encastradas e apertadas aos terminais de ligação.

- O aparelho deve ser ligado a uma tomada elétrica (ver dados na placa de características da bomba) com ligação à terra, protegida com um interruptor diferencial (RCD) com uma corrente de funcionamento residual que não exceda os 30 mA.

- Utilizar corretamente a junta da caixa de terminais do motor elétrico para evitar a entrada de água. Do mesmo modo, colocar e apertar a estopa no interior do passador de cabos da caixa de terminais.



- É necessário ter atenção para que, de forma alguma, entre água no motor e nas partes elétricas em tensão.

- Caso a utilização prevista não seja a indicada, poderá ser necessário aplicar medidas e normas técnicas suplementares.

## ADVERTÊNCIAS PARA A COLOCAÇÃO EM FUNCIONAMENTO



- Antes de colocar a máquina em funcionamento é necessário verificar a calibração dos dispositivos de proteção elétricos do motor e verificar se as proteções contra contactos elétricos e mecânicos estão corretamente posicionadas e fixadas.

### NOTA

Recomenda-se não utilizar as instalações sanitárias enquanto o equipamento de bombeamento estiver a funcionar. A bomba não deve ser utilizada quando houver pessoas em contacto com a água.

## ADVERTÊNCIAS PARA OS TRABALHOS DE MONTAGEM E MANUTENÇÃO



- Para a montagem e instalação das bombas é necessário ter em atenção as normas de instalação nacionais.

- É necessário ter atenção para que, de forma alguma, entre água no motor e nas partes elétricas em tensão.



- Evitar a qualquer momento o contacto, mesmo que acidental, com as peças móveis da máquina durante o funcionamento da mesma e/ou antes da sua paragem total.



- Esperar que a máquina pare completamente antes de efetuar qualquer intervenção.



- Desligar a máquina da fonte de alimentação e bloquear os dispositivos de colocação em funcionamento, antes de proceder a qualquer intervenção de manutenção elétrica ou mecânica.





- É aconselhável adotar as seguintes medidas antes de efetuar qualquer intervenção na máquina:

1. Desligar a tensão da máquina.
2. Bloquear os dispositivos de colocação em funcionamento.
3. Verificar que não existe tensão nos circuitos, mesmo nos auxiliares, e nos serviços suplementares.
4. Esperar até que o rotor pare completamente.

Considerar a lista anterior como meramente indicativa, visto que pode não estar completa devido ao facto de poderem existir requisitos adicionais à lei nacional para efeitos de segurança.



-Verificar periodicamente:

- A correta fixação das peças mecânicas e o estado dos parafusos de suporte da máquina.
- A correta posição, a fixação e o estado dos condutores de alimentação e das peças isolantes.
- A temperatura da máquina e do motor elétrico. Em caso de anomalia, parar imediatamente a máquina e contactar o Serviço de Assistência Técnica mais próximo.
- As vibrações da máquina. Em caso de anomalia, parar imediatamente a máquina e contactar o Serviço de Assistência Técnica mais próximo.



-As instruções de instalação, utilização e manutenção incluídas neste manual, devido à complexidade dos casos tratados, não pretendem examinar todos os casos possíveis e imagináveis de serviço e manutenção. Caso sejam necessárias instruções suplementares ou caso surjam problemas específicos, não hesite em contactar o Serviço de Assistência Técnica mais próximo.

A instalação elétrica deve ser realizada por profissionais qualificados em instalações elétricas. Este aparelho não se destina a pessoas com capacidades físicas, sensoriais ou mentais reduzidas ou sem experiência, a não ser que sejam supervisionadas ou tenham recebido instruções acerca da sua utilização da parte de um responsável pela segurança.

Não permita que crianças ou adultos se apoiem ou sentem no aparelho. As crianças devem ser mantidas sob vigilância.

Este aparelho pode ser utilizado por crianças a partir dos 8 anos e pessoas com capacidades físicas, sensoriais ou mentais reduzidas ou sem experiência nem conhecimento desde que sejam devidamente supervisionadas ou recebam as instruções necessárias acerca da utilização segura do aparelho e entendam os riscos inerentes ao mesmo.

A limpeza e a manutenção do aparelho a serem realizadas pelo utilizador não deverão ser levadas a cabo por crianças sem a devida supervisão.

### 3. INSTALAÇÃO E MONTAGEM

#### GERAL



- A montagem e instalação das nossas bombas só é permitida em piscinas ou tanques que cumpram a norma HD 384.7.702. Em caso de dúvida, consultar um perito.

- A instalação deve seguir a norma IEC 60364-7-702 para piscinas.

- A bomba pode ser instalada nas zonas 1 e 2.



- Realizar a montagem da bomba na posição horizontal devido ao pré-filtro. As bombas utilizam um pré-filtro com um cesto no seu interior para recolher as partículas grossas, dado que estas partículas podem danificar a parte interior hidráulica da bomba.
- Todas as bombas estão equipadas com uma base com orifícios para poderem ser instaladas no solo através de uma fixação (Fig. 1).

## TUBAGENS



- Para realizar a ligação da tubagem, encaixar a tubagem nas uniões, fornecida juntamente com a bomba; as uniões às bocas de aspiração e impulsão da bomba são de rosca e utilizam juntas de estanquidade para evitar a perda de água (Fig. 2).
- Realizar a instalação da tubagem de impulsão de forma perpendicular e bem centrada em relação à entrada onde vai ser ligada para evitar que a bomba e a tubagem sejam submetidas a esforços externos que, para além de dificultarem a montagem, poderiam levar à rutura destas (Fig. 2).
- Instalar a tubagem de aspiração com uma ligeira inclinação para a bomba, na ordem dos 2%, evitando a criação de bolsas de ar (Fig. 2).
- Para o correto funcionamento da bomba é necessário efetuar o enchimento do pré-filtro da bomba até que a água chegue à conduta de aspiração (Fig. 3).

## COLOCAÇÃO



- Para melhorar o rendimento das bombas aconselha-se a montagem numa posição abaixo do nível da água da piscina ou do tanque.
- No caso de ter de instalar uma bomba autoaspirante acima do nível da água, o diferencial de pressão para a aspiração da bomba não deve ser superior a 0,02 MPa (2 mH<sub>2</sub>O), procurando que a conduta de aspiração seja o mais curta possível dado que uma tubagem mais comprida aumenta o tempo de aspiração e as perdas de carga da instalação.



- A bomba deve ser colocada num local onde não esteja sujeita a possíveis inundações e possa receber ventilação de ar seco.

## INSTALAÇÃO ELÉTRICA



- É imprescindível utilizar um dispositivo de desconexão múltiplo com uma separação mínima de 3 mm entre contactos para desligar o aparelho da alimentação elétrica.
- Utilizar um cabo rígido como ligação à rede elétrica. No caso de utilizar um cabo flexível para a ligação à rede elétrica, este deve dispor de terminais para a respetiva ligação aos terminais do motor da bomba.
- O aparelho deve ser ligado a uma tomada elétrica (ver dados na placa de características da bomba) com ligação à terra, protegida com um interruptor diferencial (RCD) com uma corrente de funcionamento residual que não exceda os 30 mA.
- Ajustar convenientemente o valor do disjuntor de corrente residual segundo a intensidade da bomba.

- Antes de ligar o motor, verificar o tipo de fusível necessário.
- Verificar a correta disposição e ligação do cabo de terra na instalação do equipamento.
- Respeitar as condições de instalação e as ligações elétricas, caso contrário, o fabricante da bomba declina qualquer responsabilidade e anula a garantia.
- Podem existir regulamentos especiais para a instalação.
- Existe perigo de eletrocussão, caso a ligação à rede elétrica não seja efetuada de forma adequada.

Relativamente a este motor há que considerar os seguintes pontos:

- Possui um protetor térmico.
- Utilizar uma proteção de motor com proteção magneto-térmica.
- Os dados de regulação do relé térmico são meramente ilustrativos, visto que o motor utiliza um disjuntor incorporado.
- Para 230 V, utilizar uma mangueira de ligação do tipo H07 RN-F3 e adaptar a secção de cabo à potência do motor e ao comprimento do cabo.
- Para a corrente alternada, utilizar uma mangueira de ligação do tipo H07 RN-F3 com uma secção de cabo adaptada à potência do motor e ao comprimento do cabo.
- A ligação do cabo da rede elétrica só deverá ser efetuada por pessoal qualificado e autorizado.

## 4. INSTRUÇÕES DE COLOCAÇÃO EM FUNCIONAMENTO

### OPERAÇÕES PRÉVIAS À COLOCAÇÃO EM FUNCIONAMENTO



- Medidas necessárias antes da primeira colocação em funcionamento:

1. Desmontar a tampa do pré-filtro desenroscando a porca de fixação (Fig. 5).
  2. Encher a bomba com água pelo pré-filtro até chegar à conduta de aspiração.
  3. Caso o cesto tenha sido retirado durante estas operações, é necessário voltar a colocá-lo no interior do pré-filtro para impedir a entrada de partículas grossas no interior da bomba, que poderiam acabar por bloquear a bomba.
  4. Verificar que a tensão e frequência da rede elétrica correspondem aos valores indicados na placa de características da bomba.
- Colocar a tampa do pré-filtro e enroscar para fechar, sem esquecer de colocar a junta na respetiva posição (Fig. 5).
  - As bombas não podem ser colocadas em funcionamento sem que o pré-filtro tenha sido previamente enchido com água; caso contrário, pode danificar a junta mecânica provocando fugas de água.

## COLOCAÇÃO EM FUNCIONAMENTO



- Abrir todas as válvulas e ligar o motor.
- Efetuar o autoenchimento da tubagem e aguardar que seja efetuado num período razoável.

## 5. MANUTENÇÃO

A cada 100 horas de funcionamento, consoante o nível de limpeza da água, devem-se avaliar os seguintes pontos:



- Limpar o cesto do pré-filtro regularmente para evitar quedas de pressão. Para evitar uma possível rutura do cesto, não é aconselhável bater no cesto durante as operações de limpeza.

- Caso a bomba pare, verificar se o consumo de amperes do motor em funcionamento é igual ou inferior ao indicado na placa de características do fabricante, ou em caso de anomalia dirigir-se ao Serviço de Assistência Técnica mais próximo.



- Esvaziar a bomba sempre que for necessário deixar o equipamento algum tempo sem funcionar, principalmente em países frios onde possa existir o perigo de congelação.

- Para esvaziar a bomba, extrair o tampão de purga.

- Sempre que o pré-filtro for aberto, limpar as impurezas do alojamento da junta e da própria junta para garantir a estanquidade no fecho da tampa (Fig. 5).

- Os componentes da bomba que, devido à sua utilização habitual, sofram desgaste e/ou deterioração devem ser substituídos periodicamente para manter o bom rendimento da bomba. A tabela a seguir lista os componentes fungíveis e/ou consumíveis da bomba e o período de tempo após o qual devem ser substituídos.

DESCRIÇÃO DO COMPONENTE	INTERVALO DE TEMPO ENTRE SUBSTITUIÇÕES
Rolamentos	10 000 h
Fecho mecânico	10 000 h
Juntas e outros elementos de estanquidade <sup>(1)</sup>	10 000 h
Pilha do comando de controlo remoto	2 anos

<sup>(1)</sup> A abertura e o fecho da bomba para a substituição de qualquer uma das peças sobresselentes internas não garante a estanquidade posterior. Por esse motivo, recomenda-se substituir as juntas tóricas e os elementos de estanquidade sempre que a junta mecânica e/ou os rolamentos forem substituídos.

O período de vida útil estimado das peças anteriores foi estabelecido tendo em conta condições normais de utilização e instalação do produto.

Seguir as instruções do manual de instalação para manter o período de vida útil da bomba.

## 6. DESMONTAGEM



- O conjunto do motor pode ser desmontado do corpo da bomba, sem necessidade de desligar as tubagens de aspiração e impulsão da bomba.

- Para desmontar o Conjunto do motor do corpo da bomba, retirar os parafusos que os unem.

## 7. TABELA DE AVARIAS

- |                                   |  |
|-----------------------------------|--|
| 1. A bomba não enche              | 4. A bomba não arranca                 |
| 2. A bomba apresenta pouco caudal | 5. O motor faz barulho mas não arranca |
| 3. A bomba faz ruído              | 6. Paragem do motor                    |

1	2	3	4	5	6	CAUSAS	SOLUÇÕES
●	●					Entrada de ar pela tubagem de aspiração	Verificar o estado das uniões e das juntas do tubo de aspiração
●						Estanquidade deficiente da tampa do filtro	Limpar a tampa do filtro e verificar o estado da junta de borracha
●	●					Rotação do motor invertida	Inverter 2 fases da alimentação
●	●		●			Tensão incorreta	Verificar a tensão da placa de características e a da rede elétrica
	●					Pré-filtro obstruído	Limpar o filtro
	●					Perdas de carga na instalação	Evitar ao máximo que os elementos produzam perdas de carga
		●				Fixação incorreta da bomba	Fixar corretamente a bomba
				●		Motor bloqueado	Desmontar o motor e consultar o serviço técnico
					●	Aumento da temperatura na caixa de terminais por ação do arco voltaico	Verificar as ligações da caixa de terminais
					●	O protetor térmico dispara	Realizar corretamente a ligação dos cabos aos terminais das caixas de terminais
					●	Ligações da caixa de terminais mal efetuadas	Apertar corretamente o cabo no terminal / Adaptar o tamanho da ligação do cabo aos terminais da caixa de terminais



FIG. 1

ANCHOR DETAIL / DETAIL DE L'ANCRAGE  
DETALLE ANCLAJE / DETTAGLIO ANCORAGGIO  
VERANKERUNG / DETALHE DE FIXAÇÃO

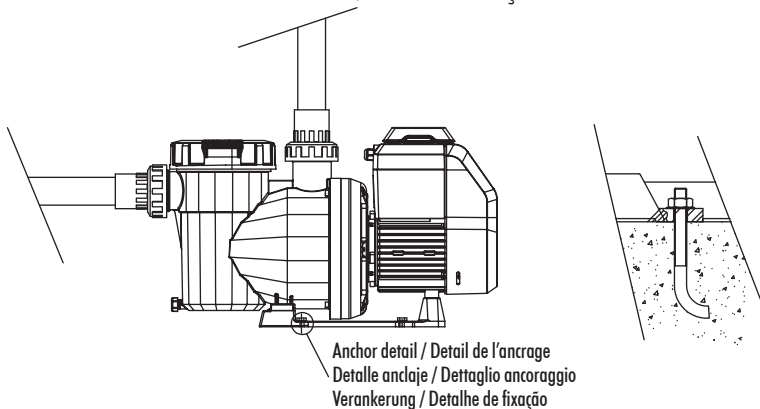


FIG. 2

CORRECT / CORRECT / CORRECTO  
CORRETTO / RICHTIG / CORRETO

INCORRECT / INCORRECT / INCORRECTO  
NON CORRETTO / FALSCH / INCORRETO

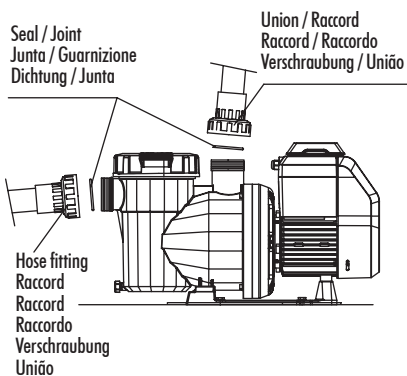
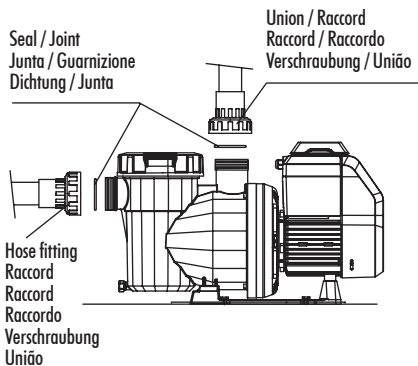


FIG. 3

Cebado  
Priming  
Remplissage  
Befüllen  
Scarico  
Enchimento

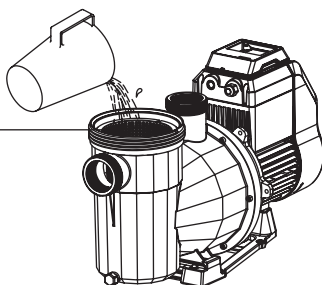


FIG. 4

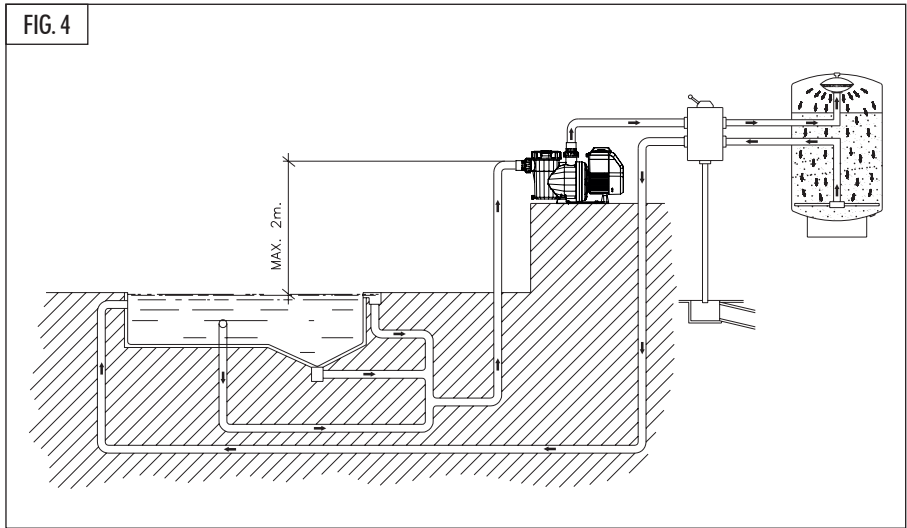
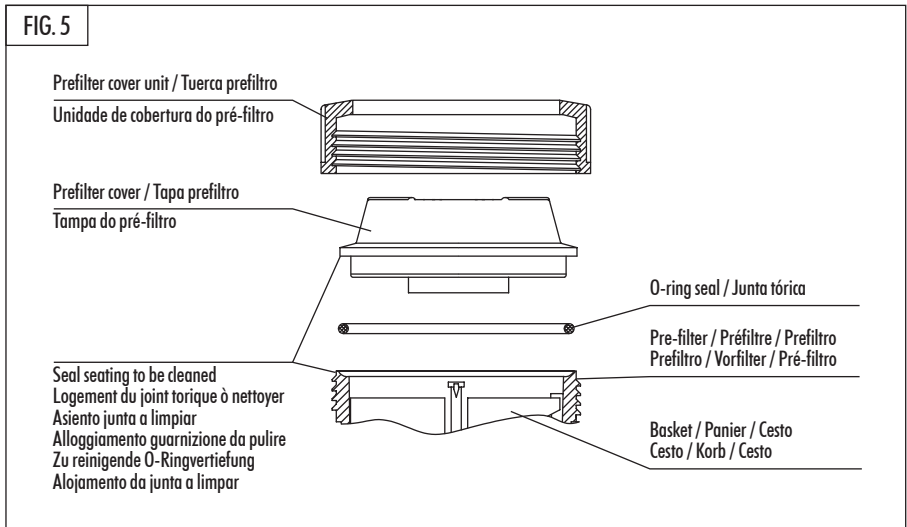


FIG. 5





# GUARANTEE CERTIFICATE

## 1. GENERAL TERMS

- 1.1. In accordance with this provisions, the seller guarantees that the AstralPool Product corresponding to this guarantee ("The Product") doesn't have any defect in conformity at this time of delivery.
- 1.2. The guarantee term for the product is three (3) years and will be calculate from the date of delivery to the purchaser .
- 1.3. In the event of any defect in conformity of the product and the purchaser notifies the seller of such defect during the guarantee period, the seller is obliged to repair o replace the Product at its own cost in the place that he consider convenient, unless it is impossible or disproportionate.
- 1.4. When it is not possible to repair or replace, the purchaser may request a proportional reduction in the price, or, if the defect in conformity is sufficient significant, the termination of the contract.
- 1.5. The parts replaced or repaired under this guarantee will not extend the guarantee term of the Product, although will have their own guarantee.
- 1.6. In order for this guarantee to come into effect, the purchaser must prove the date of acquisition and delivery of the Product.
- 1.7. If after six months from the delivery of the Product to the purchaser, a default of the conformity of the product is notified, the purchaser must prove the origin and existence of said defect.
- 1.8. This Guarantee Certificate does not limit or prejudge the rights corresponding to the consumers by virtue of national compulsory standards.

## 2. INDIVIDUAL TERMS

- 2.1. This Guarantee covers the following AstralPool products and product ranges: "Victoria Plus Silent VS".
- 2.2. This Guarantee Certificate will be applicable exclusively in countries of the European Union.
- 2.3. In order for this guarantee to be effective the purchaser must strictly follow the manufacturer's instructions included in the documentation accompanying the Product, if said documentation is applicable depending on the range and model of the Product.
- 2.4. When a schedule is given to replace, maintain or clean certain parts or components of the Product, the guarantee will only be valid if this schedule has been followed correctly.

## 3. LIMITATIONS

- 3.1. This guarantee will apply exclusively to sales made to consumers. A "consumer", is understood to be the person who acquires the Product for purposes not connected with his professional activity.
- 3.2. No guarantee is given for the normal wear through using the product. With regard to parts, components and/or expendable equipment such as mechanical seals, bearings and water tightness, the documentation accompanying the product will be applicable, as the case may be.
- 3.3. The guarantee does not cover accessory elements of the product " Filtration pump" not explicitly included on it, such as panel board, converter, protection devices, etc..
- 3.4. The guarantee covers Product's failures originated only and exclusively by materials defect and/or performance works. The guarantee doesn't cover cases such us the Product: (I) has been object of an incorrect handling; (II) has been installed, repaired, maintained or manipulated for an non-authorized person or (III) has been repaired or maintained with non original spares. It's out of the present guarantee the slight damages originated by accidental tears or inadequate as:
  - Pump working without water.
  - Incorrect dosification of chemical products on the swimming pool.
  - Water damage originate in external elements to the pumping conditions.
  - Inadequate ventilation.
  - Use in different applications of swimming pool water filtration.
- 3.5. The guarantee does not cover cases of incorrect installation or start-up unless said installation or start-up is included in the sales contract of the Product and has performed by the seller or under his responsibility. This cases are covered by the installer or the seller who installed the product.

# CERTIFICAT DE GARANTIE

## 1. ASPECTS GENERAUX

- 1.1. Conformément à ces dispositions, le vendeur garantit que le produit AstralPool correspondant à cet garant ("le Produit") ne présente pas aucun défaut de conformité au moment de sa livraison.
- 1.2. Le Période de Garantie pour le produit est de trois (3) ans et elle sera calculée à partir de la date de remise à l'acheteur.
- 1.3. S'il se produisait un défaut de conformité du Produit et si l'acheteur ne le notifieait au vendeur pendant le Période de Garantie, le vendeur devrait réparer ou remplacer le Produit, à ses propres frais au lieu qu'il jugerait opportun, à moins que cela soit impossible ou disproportionné.
- 1.4. Lorsque le Produit ne pourra être ni réparé ni remplacé, l'acheteur pourra demander une réduction proportionnelle du prix ou, si le défaut de conformité est suffisamment important, la résolution du contrat de vente.
- 1.5. Les pièces remplacées ou réparées en vertu de cette garantie ne prolongeront pas le délai de la garantie du produit original, celles-ci étant cependant couvertes par leur propre garantie.
- 1.6. Pour l'effectivité de la présente garantie, l'acheteur devra justifier la date d'acquisition et de livraison du Produit.
- 1.7. Quand plus de six (6) mois se seront écoulés depuis la remise du produit à l'acheteur et que ce dernier alléguera un défaut de conformité de ce Produit, l'acheteur devra justifier l'origine et l'existence du défaut allégué.
- 1.8. Le présent Certificat de Garantie ne limite pas ni préjuge les droits qui correspondent aux consommateurs en vertu des normes nationales de nature impérative.

## 2. CONDITIONS PARTICULIERES

- 2.1. La présente Garantie couvre les produits et les familles « Victoria Plus Silent VS » d'AstralPool.
- 2.2. Le présent Certificat de Garantie ne sera applicable que dans les pays de l'Union Européenne.
- 2.3. En vue de l'efficacité de cette Garantie, l'acheteur devra suivre rigoureusement les indications du Fabricant figurant dans la documentation qui est jointe au Produit, quand celle-ci sera applicable selon la gamme et le modèle du Produit.
- 2.4. Quand un calendrier est spécifié pour le remplacement, la maintenance ou le nettoyage de certaines pièces ou de certains composants du Produit, la Garantie sera valable uniquement lorsque ledit calendrier aura été suivi correctement.

## 3. LIMITATIONS

- 3.1. La présente Garantie ne sera applicable que dans les ventes réalisées aux consommateurs, considérant comme « consommateur » toute personne qui achète le Produit à des fins n'étant pas du domaine de son activité professionnelle.
- 3.2. Aucune garantie n'est concédée pour ce qui a trait à l'usure normale due à l'utilisation du Produit. En ce qui concerne les pièces, les composants et/ou matériels fongibles ou consommables comme des garnitures mécanique, roulements et des éléments d'étanchéité, il faudra respecter ce qui est stipulé dans la documentation qui est jointe au Produit.
- 3.3. Il est hors d'atteinte de la présente Garantie, les éléments accessoires au produit « Pompe de Filtration » ne pas inclus explicitement avec lui, comme des armoires de manoeuvre, transformateurs, équipes de protection, etc.
- 3.4. Il sera couvert par la Garantie, les failles du Produit causés unique et exclusivement par défaut des matériaux et/ou main d'oeuvre. La Garantie ne couvre pas les cas où le produit: (I) a fait l'objet d'un traitement incorrecte ; (II) a été installé, réparé, maintenu ou manipulé par une personne non autorisée ou (III) a été réparé ou maintenu avec des pièces qui ne sont pas d'origine. La présente Garantie ne couvre pas les dommages produits par une utilisation accidentelle ou inappropriée comme:
  - Fonctionnement de la pompe à sec.
  - Dosage incorrecte des produits chimiques dans la piscine.
  - Dommages de l'eau en provenance des éléments extérieures aux conditions de pompage.
  - Ventilation inadéquate.
  - Usage dans des applications différentes de la filtration de l'eau dans les piscines.
- 3.5. La garantie ne couvre pas le cas où le Produit a fait l'objet d'une installation ou d'une mise en marche incorrectes, à moins que cette installation ou cette mise en marche soient comprises dans le contrat d'achat et de vente du Produit et aient été réalisées par le vendeur ou sous sa responsabilité.

# CERTIFICADO DE GARANTIA

## 1. ASPECTOS GENERALES

- 1.1. De acuerdo con estas disposiciones, el vendedor garantiza que el producto AstralPool correspondiente a esta garantía ("el Producto") no presenta ninguna falta de conformidad en el momento de su entrega.
- 1.2. El Período de Garantía para el producto es de tres (3) años y se calculará desde el momento de su entrega al comprador.
- 1.3. Si se produjera una falta de conformidad del Producto y el comprador lo notificase al vendedor durante el Período de Garantía, el vendedor deberá reparar o sustituir el Producto a su propio coste en el lugar donde considere oportuno, salvo que ello sea imposible o desproporcionado.
- 1.4. Cuando no se pueda reparar o sustituir el Producto, el comprador podrá solicitar una reducción proporcional del precio o, si la falta de conformidad es suficientemente importante, la resolución del contrato de venta.
- 1.5. Las partes sustituidas o reparadas en virtud de esta garantía no ampliarán el plazo de la garantía de Producto original, si bien dispondrán de su propia garantía.
- 1.6. Para la efectividad de la presente garantía, el comprador deberá acreditar la fecha de adquisición y entrega del Producto.
- 1.7. Cuando hayan transcurrido más de seis meses desde la entrega del Producto al comprador y éste alegue falta de conformidad de aquél, el comprador deberá acreditar el origen y la existencia del defecto alegado.
- 1.8. El presente Certificado de Garantía no limita o prejuzga los derechos que correspondan a los consumidores en virtud de normas nacionales de carácter imperativo.

## 2. CONDICIONES PARTICULARES

- 2.1. La presente Garantía cubre los productos de la familia "Victoria Plus Silent VS" de AstralPool.
- 2.2. El presente Certificado de Garantía será de aplicación únicamente en los países de la Unión Europea.
- 2.3. Para la eficacia de esta garantía, el comprador deberá seguir estrictamente las indicaciones del Fabricante incluidas en la documentación que acompaña al Producto, cuando ésta resulte aplicable según la gama y modelo del Producto.
- 2.4. Cuando se especifique un calendario para la sustitución, mantenimiento o limpieza de ciertas piezas o componentes del Producto, la garantía solo será válida cuando se haya seguido dicho calendario correctamente.

## 3. LIMITACIONES

- 3.1. La presente garantía únicamente será de aplicación en aquellas ventas realizadas a consumidores, entendiéndose por "consumidor", aquella persona que adquiere el Producto con fines que no entran en el ámbito de su actividad profesional.
- 3.2. No se otorga ninguna garantía respecto del normal desgaste por uso del producto. En relación con las piezas, componentes y/o materiales fungibles o consumibles como cierres mecánicos, rodamientos y elementos de estanqueidad se estará a lo dispuesto en la documentación que acompañe al Producto, en su caso.
- 3.3. Queda fuera del alcance de la presente garantía los elementos accesorios al producto "Bomba de filtración" no incluidos explícitamente con él, tales como armarios de maniobra, transformadores, equipos de protección, etc.
- 3.4. Quedan cubiertos por la garantía aquellos fallos en el producto originados única y exclusivamente por defecto de materiales y/o mano de obra. La garantía no cubre aquellos casos en que el Producto: (I) haya sido objeto de un trato incorrecto; (II) haya sido instalado, reparado, mantenido o manipulado por persona no autorizada o (III) haya sido reparado o mantenido con piezas no originales. Queda fuera del alcance de la presente garantía los desperfectos originados por usos accidentales o inadecuados como:
  - Funcionamiento de la bomba en seco.
  - Dosificación incorrecta de los productos químicos en la piscina.
  - Daños de agua procedente de elementos exteriores a las condiciones de bombeo.
  - Ventilación inadecuada.
  - Uso en aplicaciones diferentes de la filtración de agua en piscinas.
- 3.5. Cuando la falta de conformidad del Producto sea consecuencia de una incorrecta instalación o puesta en marcha, la presente garantía sólo responderá cuando dicha instalación o puesta en marcha esté incluida en el contrato de compra-venta del Producto y haya sido realizada por el vendedor o bajo su responsabilidad.

# CERTIFICATO DI GARANZIA

## 1. CONDIZIONI GENERALI

- 1.1. D'accordo con queste disposizioni, il venditore garantisce che il prodotto AstralPool ("il Prodotto") al momento della consegna è assolutamente conforme ai requisiti esposti.
- 1.2. Il Periodo di Garanzia previsto per il prodotto è di tre (3) anni a partire dal momento della consegna all'acquirente.
- 1.3. Nel caso in cui si rilevi un difetto di conformità del Prodotto e l'acquirente lo comunichi al venditore nel Periodo di Garanzia, il venditore dovrà riparare o sostituire il Prodotto facendosi carico delle spese, nel luogo ritenuto opportuno, salvo il caso in cui sia impossibile o spropositato.
- 1.4. Nel caso in cui il Prodotto non possa essere riparato o sostituito, l'acquirente potrà chiedere una riduzione proporzionale nel prezzo; se la mancanza di conformità è abbastanza considerevole, potrà chiedere la risoluzione del contratto di vendita.
- 1.5. La sostituzione o riparazione di alcune parti in virtù di questa garanzia, non darà luogo a un prolungamento del periodo di vigenza della stessa rispetto al Prodotto originale, ma le parti in questione avranno garanzia propria.
- 1.6. Affinché la presente garanzia sia valida, l'acquirente dovrà dimostrare la data d'acquisto nonché consegna del Prodotto.
- 1.7. Trascorsi sei mesi dalla consegna del Prodotto all'acquirente, nel caso in cui quest'ultimo allegli difetto di conformità del medesimo, dovrà dimostrare l'origine e l'esistenza del difetto in questione.
- 1.8. Il presente Certificato di Garanzia non costituisce limitazione o danno dei diritti che spettano ai consumatori, in virtù delle norme nazionali di carattere imperativo.

## 2. CONDIZIONI PARTICOLARI

- 2.1. La presente Garanzia copre i prodotti della famiglia "Victoria Plus Slient VS" di AstralPool.
- 2.2. Il presente Certificato di Garanzia sarà valido unicamente nei paesi dell'Unione Europea.
- 2.3. Perché la presente garanzia sia valida, l'acquirente dovrà seguire strettamente le istruzioni del Fabbricante, incluse nella documentazione che accompagna il Prodotto, sempre che siano applicabili alla gamma e modello del medesimo.
- 2.4. Nel caso in cui si stabilisca un calendario per la sostituzione, manutenzione e pulizia di determinati pezzi ed elementi del Prodotto, la garanzia sarà valida solo se detto calendario sarà stato osservato in maniera corretta.

## 3. LIMITAZIONI

- 3.1. La presente garanzia sarà valida esclusivamente per le vendite realizzate ai consumatori, intendendo con il termine consumatore colui che acquista il Prodotto per fini che non rientrano nella sfera delle sue attività professionali.
- 3.2. La garanzia non copre in alcun modo l'usura normale, dovuta all'utilizzazione del prodotto. Per quanto riguarda pezzi, elementi e/o materiali deperibili o consumabili tipo chiusure meccaniche, cuscinetti, componenti a tenuta stagna, ci si atterrà a quanto previsto nella documentazione che accompagna il Prodotto, se del caso.
- 3.3. Restano esclusi dalla presente garanzia gli elementi accessori al prodotto "Pompa di filtraggio" che non vengono contemplati in maniera esplicita, come quadri di manovra, trasformatori, attrezzature di protezione, ecc.
- 3.4. Sono coperti dalla garanzia i difetti del prodotto causati unica ed esclusivamente da materiali difettosi e/o dalla manodopera. La garanzia non copre i casi in cui il Prodotto: (I) sia stato oggetto di un trattamento non corretto; (II) sia stato installato, riparato, mantenuto o manipolato da una persona non autorizzata o (III) sia stato riparato o mantenuto con pezzi non originali. Restano esclusi dalla presente garanzia i danni causati da usi accidentali e non adeguati come:
  - Funzionamento della pompa a secco.
  - Dosaggio inadeguato dei prodotti chimici nella piscina.
  - Danni provocati dall'acqua proveniente da elementi esterni alle caratteristiche di pompaggio.
  - Ventilazione non idonea.
  - Uso in applicazioni diverse dal filtraggio dell'acqua nelle piscine.
- 3.5. Nel caso in cui la mancanza di conformità del Prodotto sia una conseguenza dell'installazione o dell'avvio non corretto, la presente garanzia varrà solo se detta installazione o avvio sono previsti nel contratto di compra-vendita del Prodotto e sono stati effettuati dal venditore o sotto la sua responsabilità.

# GARANTIEZERTIFIKAT

## 1. ALLGEMEINES

- 1.1. In Übereinstimmung mit diesen Bestimmungen garantiert der Verkäufer, dass das AstralPool Produkt, zu dem diese Garantie gehört ("das Produkt") zum Zeitpunkt der Übergabe nicht vertragswidrig ist.
- 1.2. Der Garantiezeitraum für das Produkt beträgt drei (3) Jahre und beginnt mit der Übergabe des Produktes an den Käufer.
- 1.3. Falls das Produkt vertragswidrig ist und der Käufer dies dem Verkäufer innerhalb des Garantiezeitraumes mitteilt, muss der Verkäufer das Produkt an einem ihm geeignet scheinenden Ort auf eigene Kosten reparieren oder ersetzen, es sei denn, dass diese Abhilfen unmöglich oder unverhältnismäßig wären.
- 1.4. Für den Fall, dass das Produkt nicht repariert oder ersetzt werden kann, kann der Käufer eine angemessene Reduzierung des Kaufpreises oder, wenn die Vertragswidrigkeit schwerwiegend ist, die Auflösung des Kaufvertrags verlangen.
- 1.5. Die kraft dieser Garantie ersetzen oder reparieren Teile verlängern den Garantiezeitraum des Originalproduktes nicht, sie können jedoch über eine eigene Garantie verfügen.
- 1.6. Damit diese Garantie gültig ist, muss der Käufer das Kauf- und Übergabedatum des Produktes nachweisen können.
- 1.7. Wenn der Käufer nach Ablauf von mehr als sechs Monaten ab Übergabe des Produktes an ihn eine Vertragswidrigkeit dieses Produktes aufzeigt, muss er die Ursache und die Existenz des angeführten Defektes beweisen.
- 1.8. Dieses Garantiezertifikat schränkt die in den nationalen Rechtsnormen festgelegten zwingenden Rechte der Verbraucher nicht ein, und diese nationalen Normen bleiben von dieser Garantie unberührt.

## 2. SPEZIELLE BESTIMMUNGEN

- 2.1. Die vorliegende Garantie deckt die Produkte der Produktgruppe "Victoria Plus Silent VS" von AstralPool ab.
- 2.2. Das vorliegende Garantiezertifikat gilt ausschließlich in den Ländern der Europäischen Union.
- 2.3. Damit diese Garantie wirksam ist, muss der Käufer den Hinweisen des Herstellers, die in den mitgelieferten Produktunterlagen angeführt sind, Folge leisten, wenn diese Unterlagen, je nach Modell und Produktreihe, für das jeweilige Produkt gelten.
- 2.4. Wenn der Ersatz, die Wartung oder die Reinigung von gewissen Teilen und Komponenten des Produktes in bestimmten Zeitabständen durchgeführt werden müssen, so ist die Garantie nur dann gültig, wenn der genannte Zeitraum korrekt eingehalten worden ist.

## 3. EINSCHRÄNKUNGEN

- 3.1. Die vorliegende Garantie gilt nur dann, wenn das Produkt an Verbraucher veräußert wurde, wobei unter "Verbraucher" jene Person zu verstehen ist, die das Produkt zu solchen Zwecken erwirbt, die mit ihrer beruflichen Aktivität nichts zu tun haben.
- 3.2. Bei normalem Verschleiß aufgrund der Verwendung des Produktes wird keine Garantie gewährt. Wenn der Fall auftritt, geht in Verbindung mit Teilen, Komponenten und/oder Ersatz- oder Verbrauchsmaterialien, wie Schössern, Lagern und Dichtungselementen das in den mitgelieferten Produktunterlagen Angeführte vor.
- 3.3. Die Zubehörelemente für "Filterpumpen", wie beispielsweise Schaltschränke, Transformatoren, Schutzausrüstungen, etc., sind in der vorliegenden Garantie nicht eingeschlossen, außer wenn dies ausdrücklich angegeben ist.
- 3.4. Es fallen nur die Mängel unter die Garantie, die einzig und allein durch Materialdefekte und/oder Arbeitskräfte verursacht wurden. Die Garantie deckt die Fälle nicht ab, in denen das Produkt: (I) unsachgemäß verwendet, (II) von nicht autorisierten Personen installiert, repariert und gewartet oder manipuliert oder (III) mit nicht Originalteilen repariert oder gewartet wurde. Nicht von der Garantie abgedeckt sind die Defekte, die durch den versehentlichen oder unsachgemäßen Gebrauch entstehen, wie beispielsweise:
  - Verwendung der Pumpe im Trockenen.
  - Falsche Dosierung der chemischen Produkte im Schwimmbad.
  - Wasserschäden, die durch Umstände hervorgerufen werden, die nicht den Förderleistungen der Pumpe zuzuschreiben sind.
  - unzureichende Belüftung.
  - Verwendung in einem anderen Bereich, als dem der Wasserfilterung in Schwimmbädern.
- 3.5. Wenn die Vertragswidrigkeit des Produktes eine Folge der falschen Installation oder Inbetriebnahme ist, so ist die Garantie nur wirksam, wenn die genannte Installation oder Inbetriebnahme im Kaufvertrag des Produktes eingeschlossen ist und vom Verkäufer bzw. unter seiner Verantwortlichkeit vorgenommen wurde.

# CERTIFICADO DE GARANTIA

## 1. ASPETOS GERAIS

- 1.1. De acordo com estas disposições, o vendedor garante que o produto AstralPool correspondente a esta garantia (“o Produto”) não apresenta nenhuma falta de conformidade no momento da sua entrega.
- 1.2. O Período de Garantia para o produto é de três (3) anos e é calculado desde o momento da sua entrega ao comprador.
- 1.3. Caso se verifique uma falta de conformidade do Produto e o comprador a notificar ao vendedor durante o Período de Garantia, o vendedor deverá reparar ou substituir o Produto assumindo os custos incorridos no lugar que considere oportuno, salvo se isso for impossível ou desproporcionado.
- 1.4. Quando não for possível reparar ou substituir o Produto, o comprador poderá pedir uma redução proporcional do preço ou, se a falta de conformidade for suficientemente importante, a resolução do contrato de venda.
- 1.5. As partes substituídas ou reparadas em virtude desta garantia não ampliarão o prazo da garantia original do Produto, embora disponham da sua própria garantia.
- 1.6. Para a efetividade da presente garantia, o comprador deverá comprovar a data de aquisição e entrega do Produto.
- 1.7. Quando tenham transcorrido mais de seis meses desde a entrega do Produto ao comprador e este alegue falta de conformidade do mesmo, o comprador deverá comprovar a origem e a existência do defeito alegado.
- 1.8. O presente Certificado de Garantia não limita ou prejudica os direitos que correspondam aos consumidores em virtude de normas nacionais de carácter imperativo.

## 2. CONDIÇÕES PARTICULARES

- 2.1. A presente Garantia cobre os produtos da família “Victoria Plus Silent VS” da AstralPool.
- 2.2. O presente Certificado de Garantia será aplicável unicamente nos países da União Europeia.
- 2.3. Para a eficácia desta garantia, o comprador deverá seguir rigorosamente as indicações do Fabricante incluídas na documentação que acompanha o Produto, quando esta for aplicável em conformidade a gama e o modelo do Produto.
- 2.4. Quando se especificar um calendário para a substituição, manutenção ou limpeza de certas peças ou componentes do Produto, a garantia só será válida quando se tenha seguido corretamente o referido calendário.

## 3. LIMITAÇÕES

- 3.1. A presente garantia só será aplicável a vendas realizadas a consumidores, entendendo-se por “consumidor” a pessoa que adquire o Produto para fins não abrangidos pelo âmbito da sua atividade profissional.
- 3.2. Não se outorga nenhuma garantia a respeito do desgaste normal decorrente da utilização do produto. Em relação a peças, componentes e/ou materiais fungíveis ou consumíveis como fechos mecânicos, rolamentos e elementos de estanquidade aplicar-se-á o disposto na documentação que acompanhe o Produto, se for esse o caso.
- 3.3. O âmbito da presente garantia não cobre os elementos acessórios ao produto “Bomba de filtragem” não incluídos explicitamente com o mesmo, tais como quadros de manobras, transformadores, equipamentos de proteção, etc.
- 3.4. Estão cobertas pela garantia as falhas no produto originadas única e exclusivamente por defeito de materiais e/ou mão de obra. A garantia não cobre os casos em que o Produto: (I) tenha sido objeto de um tratamento incorreto; (II) tenha sido instalado, reparado, mantido ou manipulado por pessoa não autorizada ou (III) tenha sido reparado ou mantido com peças não originais. O âmbito da presente garantia não cobre as deteriorações originadas por utilizações acidentais ou inadequadas como:
  - Funcionamento da bomba em seco.
  - Dosagem incorreta dos produtos químicos na piscina.
  - Danos de água proveniente de elementos exteriores às condições de bombeamento.
  - Ventilação inadequada.
  - Utilização em aplicações diferentes da filtragem de água em piscinas.
- 3.5. Quando a falta de conformidade do Produto se dever a instalação incorreta ou início de funcionamento incorreto, a presente garantia só se responsabilizará quando tal instalação ou início de funcionamento estiverem previstos no contrato de compra-venda do Produto e tenham sido realizados pelo vendedor ou sob a sua responsabilidade.

## **ASTRALPOOL VICTORIA PLUS SILENT VS PUMP SPECIFICATIONS - PRODUCT AND ACCESSORIES DESCRIPTION**

ENGLISH

The body of the pump is made of the latest generation thermoplastics. The pumps are self-priming and range from 1 HP up to 2 HP, and are provided with single-phase motors. A pre-filter has been integrated into the body of the pump to prevent the entry of any foreign bodies which could cause damage to the hydraulic parts of the pump.

The motors supplied with the motor pump unit have been protected with IP-55 protection and are adapted to withstand hot atmospheres and high humidity levels.

## **PRESTATIONS OFFERTES PAR LES POMPES ASTRALPOOL VICTORIA PLUS SILENT VS- DESCRIPTION DU PRODUIT ET DE SES ACCESSOIRES**

FRANÇAIS

Les pompes, auto-aspirantes, sont fournies avec des moteurs monophasés, de 1 CV à 2 CV. Le corps de la pompe, en thermoplastiques de toute dernière génération, incorpore un préfiltre qui permet d'éviter la pénétration de corps étrangers et l'endommagement des parties hydrauliques de la pompe.

Le degré de protection des moteurs livrés avec l'ensemble moteur-pompe est IP-55 ; ils sont conçus pour supporter les températures et niveaux d'humidité élevés.

## **PRESTACIONES DE LAS BOMBAS ASTRALPOOL VICTORIA PLUS SILENT VS - DESCRIPCIÓN DEL PRODUCTO Y SUS ACCESORIOS**

ESPAÑOL

El cuerpo de la bomba está construido con termoplásticos de última generación. Las bombas son autoaspirantes de 1 CV hasta 2 CV, y se proporcionan con motores monofásicos. En el cuerpo de la bomba se ha integrado un prefiltro para evitar la entrada de objetos extraños que pudieran dañar las partes hidráulicas de la bomba.

Los motores que se suministran con el conjunto motor bomba han sido protegidos con IP-55 y acondicionados para soportar ambientes calurosos y niveles de humedad elevados.

## **PRESTAZIONI DELLE POMPE ASTRALPOOL VICTORIA PLUS SILENT VS - DESCRIZIONE DEL PRODOTTO E ACCESSORI**

ITALIANO

Il corpo della pompa è realizzato in materiali termoplastici di ultima generazione. Le pompe sono autoaspiranti e vanno da 1 CV a 2 CV; vengono fornite sia con motori monofase. Nel corpo della pompa è integrato un prefiltro che evita la penetrazione di corpi estranei che potrebbero danneggiare gli elementi idraulici della pompa.

I motori forniti con il gruppo motore-pompa presentano la classe di protezione IP-55 e sono in grado di resistere ad ambienti caldi e ad elevati livelli di umidità.

## **MERKAMLE DER PUMPEN ASTRALPOOL VICTORIA PLUS SILENT VS - PRODUKTBESCHREIBUNG UND ZUBEHÖR**

DEUTSCH

Das Pumpengehäuse besteht aus Thermoplasten der neuesten Generation. Es sind selbstansaugende Pumpen, die 1 PS bis 2 PS leisten sind mit Einphasenmotoren ausgestattet. Im Pumpengehäuse ist ein Vorfilter eingebaut, um das Eindringen von Fremdkörpern zu verhindern, die die Wasser führenden Teile der Pumpe beschädigen könnten.

Die Motoren, die in der Baugruppe Pumpe-Motor geliefert werden, erfüllen die Schutzklasse IP-55 und sind für heiße Umgebungen und hohe Luftfeuchtigkeit ausgelegt.

## **PRESTAÇÕES DAS BOMBAS ASTRALPOOL VICTORIA PLUS SILENT VS - DESCRIÇÃO DO PRODUTO E DOS SEUS ACESSÓRIOS**

PORTUGUÊS

O corpo da bomba foi construído com termoplásticos de última geração. As bombas autoaspirantes debitam uma potência de 1 CV a 2 CV, e são disponibilizadas com motores monofásicos. No corpo da bomba foi integrado um pré-filtro para evitar a entrada de objetos estranhos que poderiam danificar as partes hidráulicas da bomba.

Os motores fornecidos com o conjunto motor-bomba foram protegidos de acordo com a norma IP-55 e acondicionados para suportar ambientes quentes e níveis de humidade elevados.





## EVIDENCE OF CONFORMITY / DÉCLARATION DE CONFORMITÉ / DECLARACIÓN DE CONFORMIDAD / DICHIARAZIONE DI CONFORMITÀ / KONFORMITÄTSERKLÄRUNG / DECLARAÇÃO DE CONFORMIDADE

- Declares under their own responsibility that all the pumps: **ASTRAL VICTORIA PLUS SILENT VS, Single-phase.**

Manufactured since 08/01/2019, independent of the serial number, are in compliance with:

- 2006/42/EC Machine Directive Safety prescriptions.
- 2014/30/EU Electromagnetic compatibility Directive.
- 2014/35/EU Low voltage Directive.
- 2000/14/EC Noise emission Directive.
- EN 60335-1: 2012/A11.
- EN 60335-2-41/A1:2012.
- 2011/65/EU RoHS.

- Déclare sous sa seule responsabilité que toutes les pompes model: **ASTRAL VICTORIA PLUS SILENT VS, Monophasée.**

Fabriquées a partir du 08/01/2019, indépendamment du numéro de série, sont conformes avec:

- Directive de sécurité de machines 2006/42/EC.
- Directive de compatibilité électromagnétique 2014/30/EU.
- Directive d'équipés de basse tension 2014/35/EU.
- Directive d'émission sonore 2000/14/EC.
- EN 60335-1: 2012/A11.
- EN 60335-2-41/A1:2012.
- 2011/65/EU RoHS.

- Declara bajo su única responsabilidad que todas las bombas del tipo: **ASTRAL VICTORIA PLUS SILENT VS, Monofásicas.**

Producidas a partir del 08/01/2019, independientemente del número de serie, son conformes con:

- Directiva de seguridad de máquinas 2006/42/EC.
- Directiva de compatibilidad electromagnética 2014/30/EU.
- Directiva de equipos de baja tensión 2014/35/EU.
- Directiva de emisión sonora 2000/14/EC.
- EN 60335-1: 2012/A11.
- EN 60335-2-41/A1:2012.
- 2011/65/EU RoHS.

- Dichiaro sotto la sua diretta responsabilità che tutte le pompe del tipo: **ASTRAL VICTORIA PLUS SILENT VS, Monofase.**

Prodotte a partire dal 08/01/2019, indipendentemente dal numero di serie, sono conformi a:

- Direttiva sulla sicurezza delle macchine 2006/42/EC.
- Direttiva sulla compatibilità elettromagnetica 2014/30/EU.
- Direttiva apparecchiatura in bassa tensione 2014/35/EU.
- Direttiva sulle emissioni sonore 2000/14/EC.
- EN 60335-1: 2012/A11.
- EN 60335-2-41/A1:2012.
- 2011/65/EU RoHS.

- Bescheinigt in alleiniger Verantwortung, dass alle Pumpen des Typs: **ASTRAL VICTORIA PLUS SILENT VS, Einphasig.**

Hergestellt ab dem 08/01/2019, unabhängig von der Seriennummer, konform sind mit:

- Richtlinie 2006/42/EWG über die Sicherheit von Maschinen.
- Richtlinie 2014/30/EWG über elektromagnetische Verträglichkeit.
- Richtlinie 2014/35/EWG über die Sicherheit von elektrischen Betriebsmitteln (Niederspannungsrichtlinie).
- Richtlinie 2000/14/EWG über Geräuschemissionen.
- EN 60335-1: 2012/A11.
- EN 60335-2-41/A1:2012.
- 2011/65/EU RoHS.

- Declara sob sua única responsabilidade que todas as bombas do tipo: **ASTRAL VICTORIA PLUS SILENT VS, Monofásicas**

Producidas a partir de 08/01/2019, independentemente do número de série, estão conformes com:

- Diretiva de segurança de máquinas 2006/42/CE.
- Diretiva de compatibilidade eletromagnética 2014/30/UE.
- Diretiva de equipamentos de baixa tensão 2014/35/UE.
- Diretiva de emissões sonoras 2000/14/CE.
- EN 60335-1: 2012/A11.
- EN 60335-2-41/A1:2012.
- 2011/65/UE RoHS.

Signed the present conformity evidence / Signe la présente déclaration / Firma la presente declaración / Firma la seguente dichiarazione / Diese Erklärung unterzeichnet / Assina a presente declaração:

Polinyà, 08/01/2019



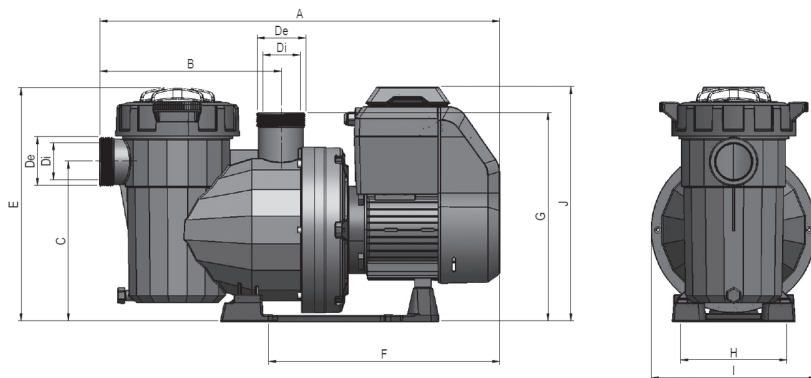
Signature / Firma / Unterschrift / Assinatura

**Josep Pausas Ginesta**, Managing Director of **Metalast S.A.U.**





**TECHNICAL CHARACTERISTICS**  
**RENSEIGNEMENTS TECHNIQUES**  
**CARACTERÍSTICAS TÉCNICAS**  
**DATI TECNICI**  
**TECHNISCHE ANGABEN**  
**CARACTERÍSTICAS TÉCNICAS**



COD.	HP	V	A	B	C	De	Di	E	F	G	H	I	J
			mm										
67547	1	220-240	584	281	246	ACME D.75	2" GAS	359	324	321	164	254	354
67548	2	220-240	618	281	246	ACME D.75	2" GAS	359	358	321	164	254	364

Cod. 67547-0008 / Rev. 01

- We reserve the right to change all or part of the features of the articles or contents of this document, without prior notice.
- Nous nous réservons le droit de modifier totalement ou en partie les caractéristiques de nos articles ou le contenu de ce document sans préavis.
- Nos reservamos el derecho de cambiar total o parcialmente las características de nuestros artículos o contenido de este documento sin previo aviso.
- Ci riserviamo il diritto di cambiare totalmente o parzialmente le caratteristiche tecniche dei nostri prodotti ed il contenuto di questo documento senza nessun preavviso.
- Wir behalten uns das Recht vor, die Merkmale unserer Produkte und den Inhalt dieser Beschreibung ohne vorherige Ankündigung ganz oder teilweise zu ändern.
- Reservamo-nos o direito de alterar, na totalidade ou parcialmente as características dos nossos artigos ou o conteúdo deste documento sem aviso prévio.