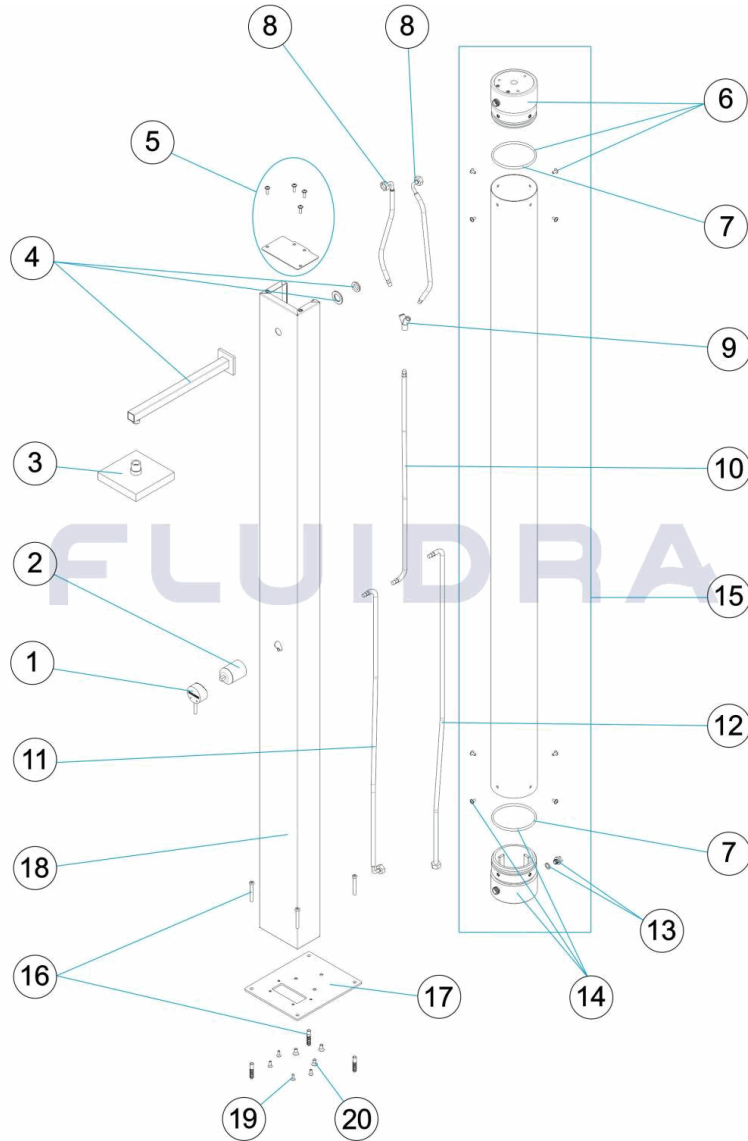


CODIGO **53873**

DESCRIPCION: **DUCHA SOLAR NIAGARA**

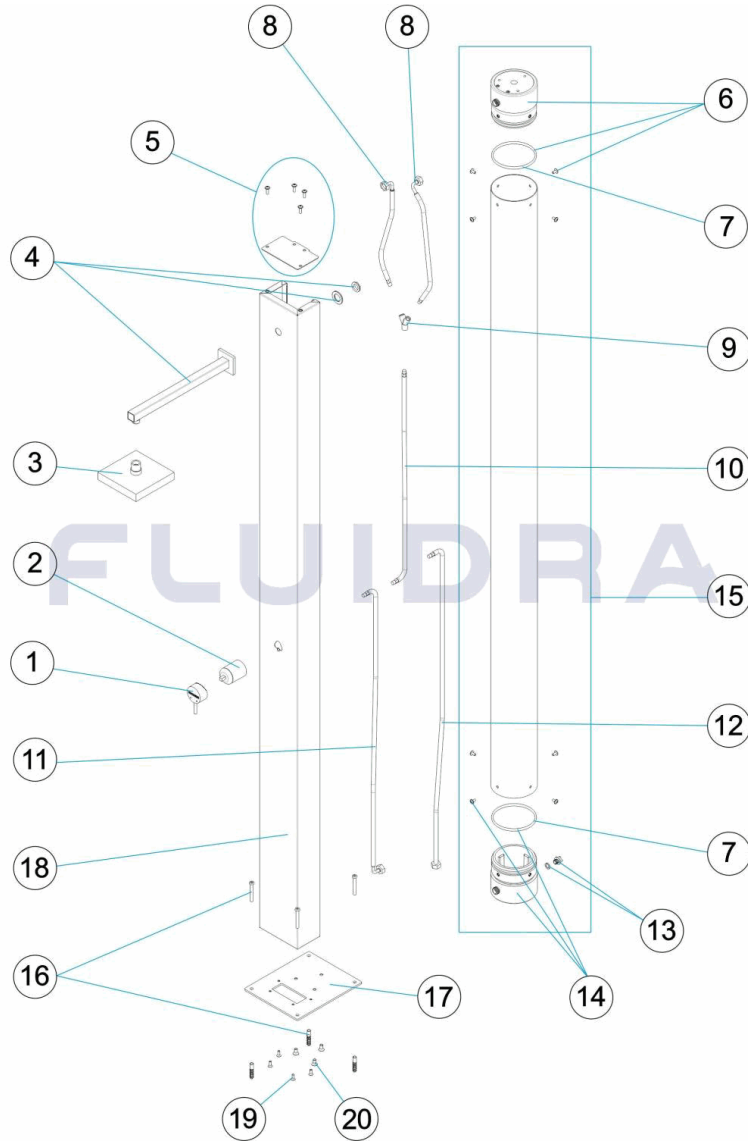


ESPAÑOL

POS	CODIGO	DESCRIPCION	CANTIDAD	POS	CODIGO	DESCRIPCION	CANTIDAD
1	4401040070	POMO MONOMANDO		11	4401043617	LATIGUILLO 1/2" HEMBRA CODO + M-10 M.	
2	4401043605	CUERPO MONOMANDO		12	4401043618	LATIGUILLO 1/2" HEMBRA + M-10 MACHO I	
3	4401040052	ROCIADOR		13	4401043621	CJTO. TAPON PURGA	
4	4401040053	BRAZO DUCHA		14	4401040073	TAPON CON PURGA	
5	4401040071	TAPA SUPERIOR		15	4401040074	CJTO. DEPOSITO	
6	4401040072	TAPON SIN PURGA		16	4401040056	CJTO. TACO FIJACION	
7	4401043609	JUNTA TORICA D. 100X6,99		17	53873R0110	UNIT ANCHORING PLATE	
8	4401043614	LATIGUILLO 1/2" HEMBRA + M-10 MACHO L=		18	53873R0120	CUERPO DUCHA	
9	4401043615	CONEXIÓN "Y" M-10 HEMBR "		19	4401040276	TORNILLERIA FIJACION DUCHA	
10	4401043616	LATIGUILLO 1/2" HEMBRA + M-10 MACHO L=		20	4401040277	TORNILLERIA FIJACION DEPOSITO	

CODE **53873**

DESCRIPTION: **DOUCHE SOLAIRE NIAGARA**

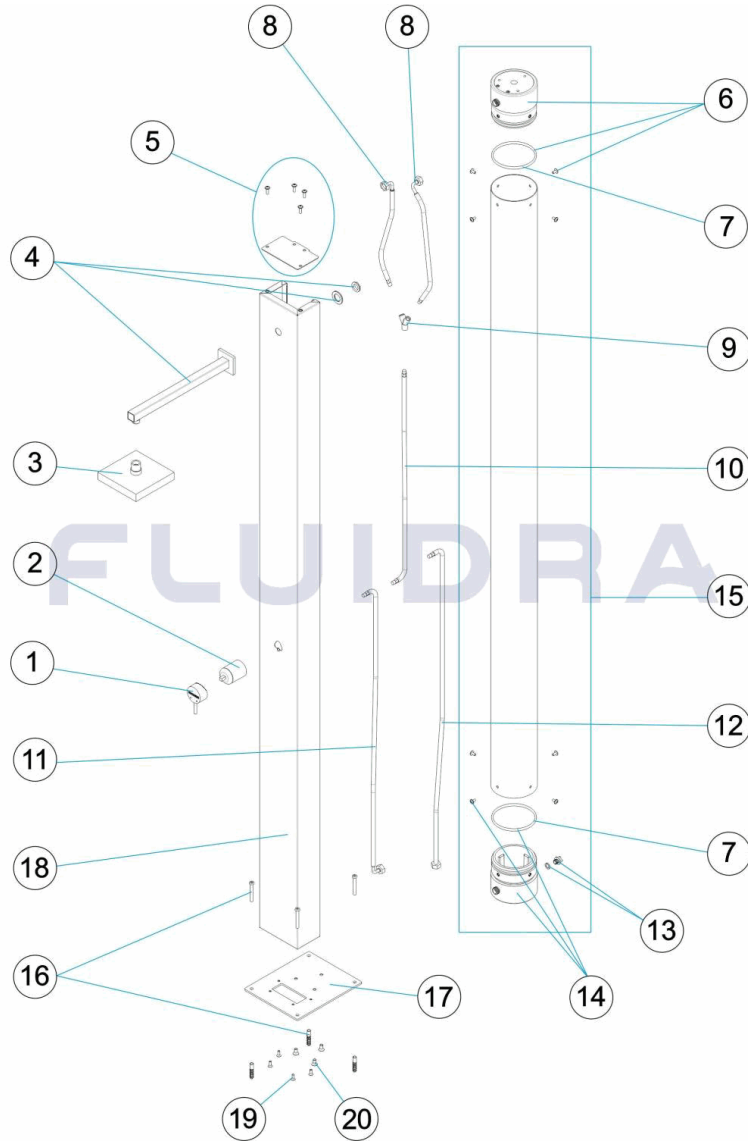


FRANCAIS

POS	CODE	DESCRIPTION	QUANTITE	POS	CODE	DESCRIPTION	QUANTITE
1	4401040070	ROBINET MITIGEUR		11	4401043617	TUYAU 1/2" FEMELLE COUDE + M-10 MÂL	
2	4401043605	CORPS MITIGEUR		12	4401043618	TUYAU 1/2" FEMELLE + M-10 MÂLE L=130I	
3	4401040052	POMME DE DOUCHE		13	4401043621	ENSEMBLE BOUCHON PURGE	
4	4401040053	BRAS DE DOUCHE		14	4401040073	BOUCHON AVEC PURGE	
5	4401040071	COUVERCLE SUPÉRIEUR		15	4401040074	ENSEMBLE RÉSERVOIR	
6	4401040072	BOUCHON SANS PURGE		16	4401040056	ENSEMBLE FIXATION	
7	4401043609	JOINT TORIQUE D. 100X6,99		17	53873R0110	PLAQUE FIXATION CORPS	
8	4401043614	TUYAU 1/2" FEMELLE + M-10 MÂLE L=400"		18	53873R0120	CORPS DE DOUCHE	
9	4401043615	RACCORD "Y" M-10 FEMELL "		19	4401040276	VISSERIE DE FIXATION DE DOUCHE	
10	4401043616	TUYAU 1/2" FEMELLE + M-10 MÂLE L=800"		20	4401040277	VISSERIE DE FIXATION RÉSERVOIR	

CODE **53873**

DESCRIPTION: **NIAGARA SOLAR SHOWER**

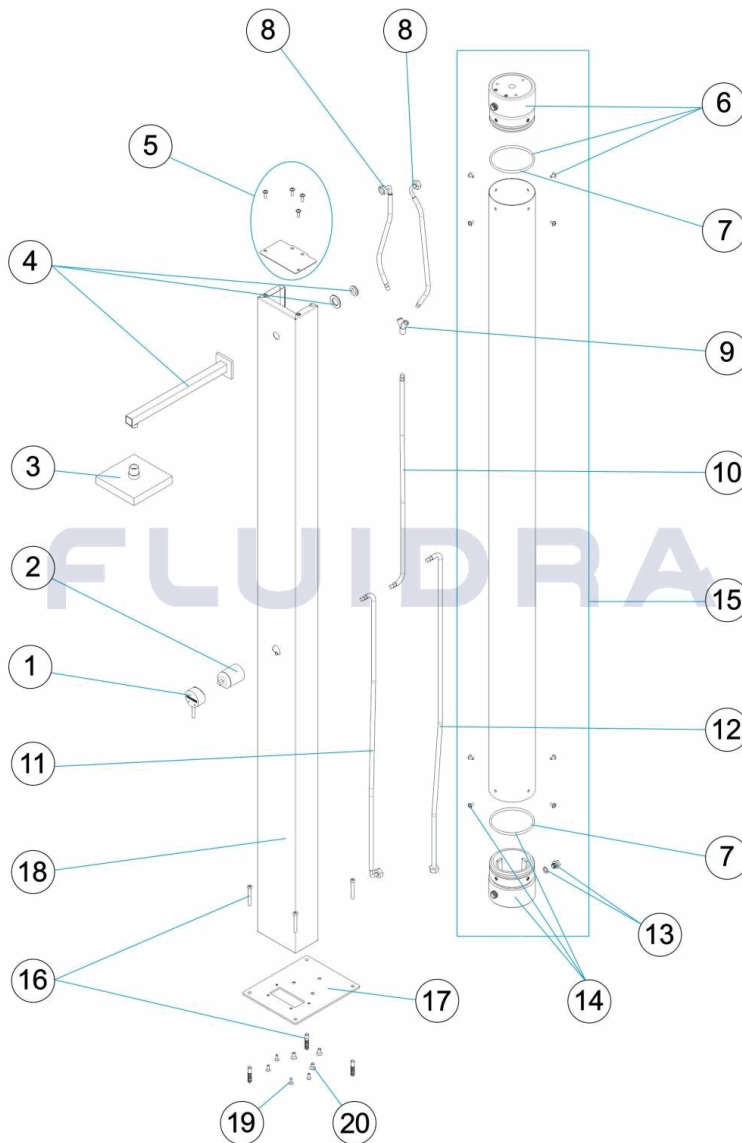


ENGLISH

POS	CODE	DESCRIPTION	QUANTITY	POS	CODE	DESCRIPTION	QUANTITY
1	4401040070	SINGLE-LEVER KNOB		11	4401043617	FLEXIBLE HOSE 1/2" FEMALE ELBOW + M	
2	4401043605	SINGLE-LEVER HANDLE CASING		12	4401043618	FLEXIBLE HOSE 1/2" FEMALE + M-10 MALE	
3	4401040052	SPRINKLER		13	4401043621	DRAIN CAP SET	
4	4401040053	SHOWER ARM		14	4401040073	CAP WITH PURGE	
5	4401040071	TOP COVER		15	4401040074	TANK UNIT	
6	4401040072	CAP WITHOUT PURGE		16	4401040056	BRAIDED HOSE	
7	4401043609	O-RING D. 100X6.99		17	53873R0110	VERANKERUNGSPLOKETTE GEHÄUSE	
8	4401043614	FLEXIBLE HOSE 1/2" FEMALE + M-10 MALE I		18	53873R0120	SHOWER BODY	
9	4401043615	Y" CONNECTOR M-10 FEMAL "		19	4401040276	SHOWER FIXING SCREWS	
10	4401043616	FLEXIBLE HOSE 1/2" FEMALE + M-10 MALE I		20	4401040277	TANK FIXING SCREWS	

CODICE **53873**

DESCRIZIONE: **DOCCIA SOLARE NIAGARA**

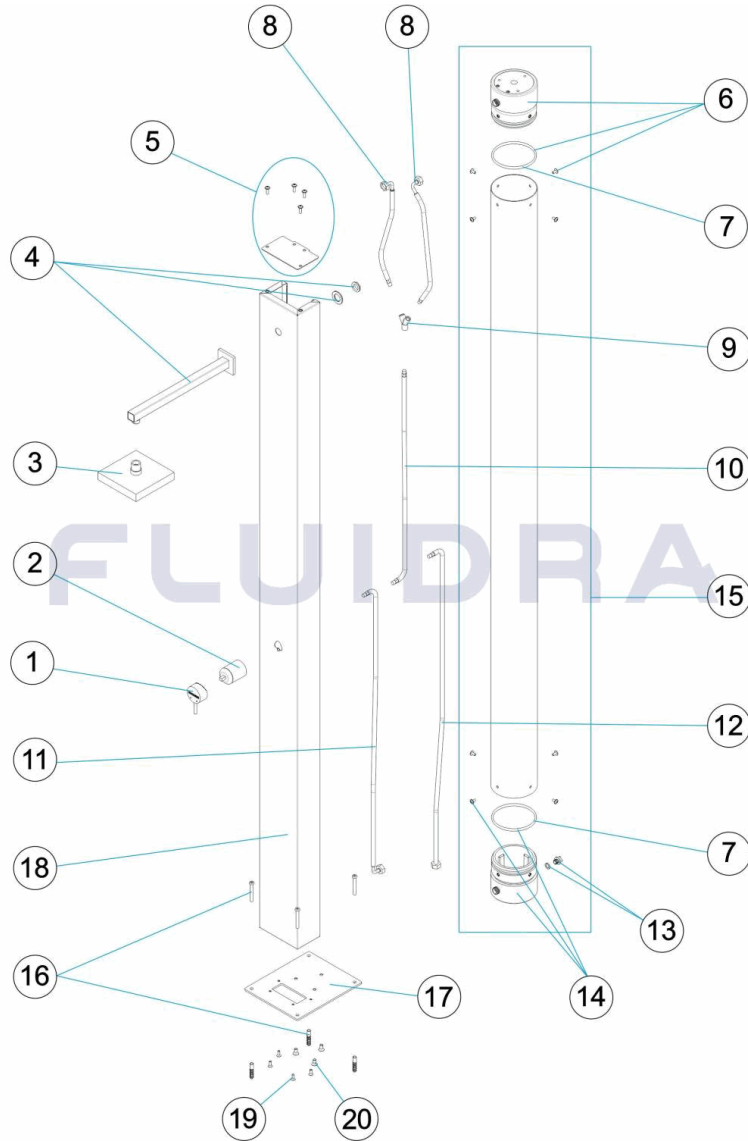


ITALIANO

POS	CODICE	DESCRIZIONE	QUANTITA'	POS	CODICE	DESCRIZIONE	QUANTITA'
1	4401040070	POMELLO MONOCOMANDO		11	4401043617	SPINOTTO 1/2" FEMMINA A GOMITO + M-1	
2	4401043605	CORPO MONOCOMANDO		12	4401043618	SPINOTTO 1/2" FEMMINA + M-10 MASCHIC	
3	4401040052	SPRUZZATORE		13	4401043621	CONGIUNTO COPERCHIO SPURGO	
4	4401040053	BRACCIO DOCCIA		14	4401040073	TAPPO CON PURGA	
5	4401040071	COPERCHIO SUPERIORE		15	4401040074	COMPLESSO DEPOSITO	
6	4401040072	TAPPO SENZA PURGA		16	4401040056	CONGIUNTO FISSAGGIO	
7	4401043609	GIUNTURA TORICA D. 100X6,99		17	53873R0110	PLACCA ANCORAGGIO CORPO	
8	4401043614	SPINOTTO 1/2" FEMMINA + M-10 MASCHIO L		18	53873R0120	CORPO DOCCIA	
9	4401043615	CONNESSIONE "Y" M-10 FEMMIN "		19	4401040276	KIT BULLONERIA FISSAGGIO DOCCIA	
10	4401043616	SPINOTTO 1/2" FEMMINA + M-10 MASCHIO L		20	4401040277	KIT BULLONERIA FISSAGGIO SERBATOIO	

CODE **53873**

BESCHREIBUNG: **DUSCHE SOLAR NIAGARA**

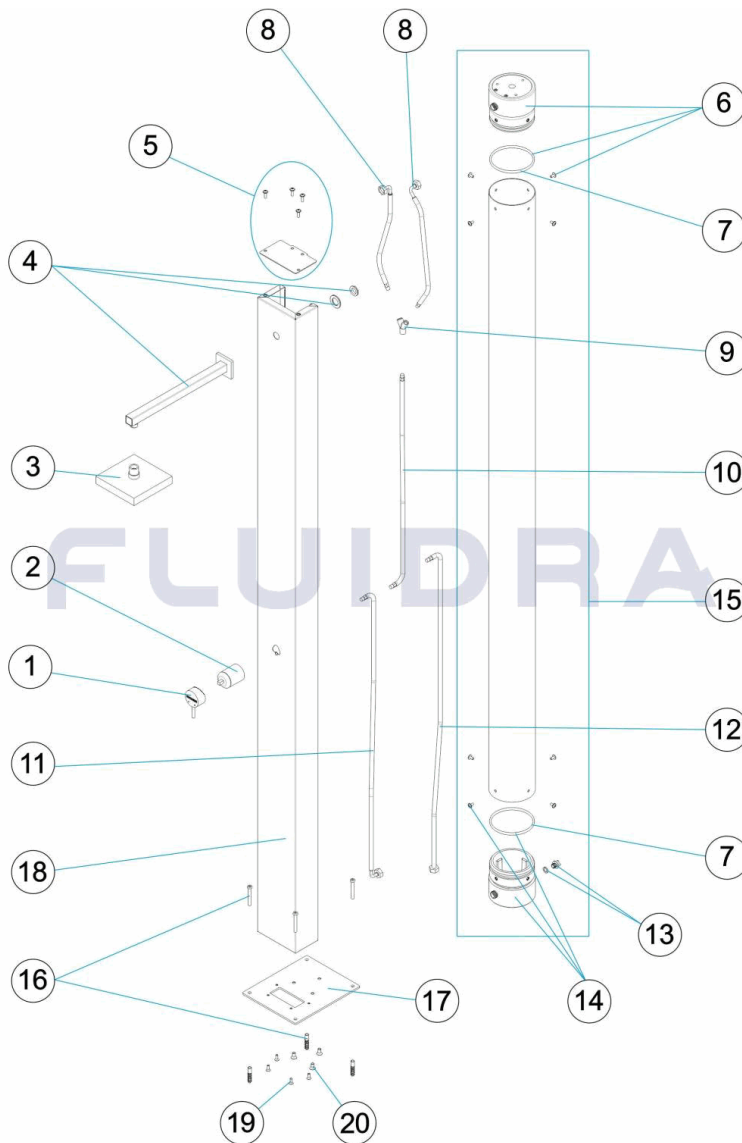


DEUTSCH

POS	CODE	BESCHREIBUNG	MENGE	POS	CODE	BESCHREIBUNG	MENGE
1	4401040070	EINHANDHEBEL		11	4401043617	SCHLAUCHLEITUNG 1/2" MUFFE WINKEL I	
2	4401043605	GEHÄUSE EINHANDHEBEL		12	4401043618	SCHLAUCHLEITUNG 1/2" MUFFE UND M-11	
3	4401040052	DUSCHKOPF		13	4401043621	SET ABLASSSTOPFEN	
4	4401040053	DUSCHARM		14	4401040073	STOPFEN MIT ABLASS	
5	4401040071	ABDECKUNG OBEN		15	4401040074	BEHÄLTERSET	
6	4401040072	STOPFEN OHNE ABLASS		16	4401040056	SET KLEMMKEIL	
7	4401043609	O-RING D. 100 X 6,99		17	53873R0110	EINHEIT VERANKERUNGSPLATTE	
8	4401043614	SCHLAUCHLEITUNG 1/2" MUFFE UND M-10 N		18	53873R0120	DUSCHEINHEIT	
9	4401043615	ANSCHLUSSMUFFE "Y" M-10"		19	4401040276	FIXIERSCHRAUBEN DUSCHE	
10	4401043616	SCHLAUCHLEITUNG 1/2" MUFFE UND M-10 N		20	4401040277	FIXIERSCHRAUBEN BEHÄLTER	

CODIGO **53873**

DESCRIÇÃO: **DUCHE SOLAR NIAGARA**



PORTUGUES

POS	CODIGO	DESCRIÇÃO	QUANTIDADE	POS	CODIGO	DESCRIÇÃO	QUANTIDADE
1	4401040070	MAÇANETA MONOCOMANDO		11	4401043617	MANGA 1/2" FÊMEA COTOVELO + M-10 M.	
2	4401043605	CORPO MONOCOMANDO		12	4401043618	MANGA 1/2" FÊMEA + M-10 MACHO L = 13	
3	4401040052	DIFUSOR		13	4401043621	CJTO. TAMPÃO PURGA	
4	4401040053	BRAÇO CHUVEIRO		14	4401040073	TAMPÃO COM PURGA	
5	4401040071	TAMPA SUPERIOR		15	4401040074	CJTO. DEPÓSITO	
6	4401040072	TAMPÃO SEM PURGA		16	4401040056	CJTO. FIXAÇÃO	
7	4401043609	JUNTA TÓRICA D. 100 X 6,99		17	53873R0110	PLACA ANCORAGEM CORPO	
8	4401043614	MANGA 1/2" FÊMEA + M-10 MACHO L = 400"		18	53873R0120	CORPO DE CHUVEIRO	
9	4401043615	LIGAÇÃO "Y" M-10 FÊMEA "		19	4401040276	PARAFUSOS FIXAÇÃO CHUVEIRO	
10	4401043616	MANGA 1/2" FÊMEA + M-10 MACHO L = 800"		20	4401040277	PARAFUSOS FIXAÇÃO DEPÓSITO	