

LUMIPLUS SPOT- LIGHTS AND LAMPS

THE WORLD LEADER
IN POOL LIGHTING

Underwater and decorative LED
lighting solutions
for residential pools

AstralPool LumiPlus has the widest range of underwater lighting in the market for public, commercial and private pools.

The entire LumiPlus range is made of high-quality LEDs and electronic components, and is manufactured entirely in the EU to European quality standards.

AstralPool's LumiPlus range delivers:

- Greater energy efficiency.
- High performance spotlights with built-in top quality lighting (TQL) technology.
- Enhanced energy efficiency in a pool thanks to the use of LumiPlus DC lamps run from a direct current power source (24 V DC).
- Unmatched control over all products in the range following the addition of the concept of the Internet of things (IoT).
- IPX8 protection rating.
- Rated voltage of 12 V AC and 24 V DC for PAR56 spotlights and white lamps.

LumiPlus

The world leader in pool lighting



LumiPlus has a wide range of products so that you can enjoy your pool whenever and however you want.

Would you like to light up your pool to make swimming more pleasant?

Would you like to have a party and give your pool a special touch?

Would you like to get home and enjoy your pool at the end of the day?

Would you like to swim at night to relax?

Would you like to create an extra living space outside your home by illuminating your pool?

SPOTLIGHT

LumiPlus Design

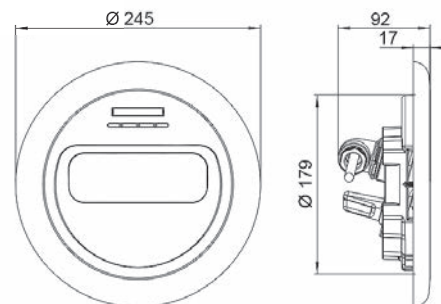
A perfect finish






Available in two finishes, pure white or stainless steel effect, its design blends in perfectly with any pool environment.

LumiPlus Design spotlights are set at an angle of 14° to better light up a pool floor and reduce outdoor light pollution.

LumiPlus Design spotlights improve luminous efficacy (lm/W) by around 40% in comparison with the main LED solutions in the market.



Faceplate	WHITE 		RGB  	
	White	Stainless steel effect	White	Stainless steel effect
Code	59807	59805	59803	59801
Consumption	45 W (50 VA)		40 W (50 VA)	
Luminous flux	4320 lm		2544 lm	
Colors on request	Red, Green, Blue, Neutral White, Warm White			

Control systems

The RGB model is compatible with LumiPlus Eco, the LumiPlus LED app and LumiPlus Modbus Fluidra Connect.

Tips: To correctly light a pool it is advisable to install a lamp from the LumiPlus range for every 25 m² of water surface. Spotlights without niche; for full spotlight assembly select a suitable niche. Must always be submerged in water.

*Resistant to salt water.

LumiPlus PAR56

The efficient solution

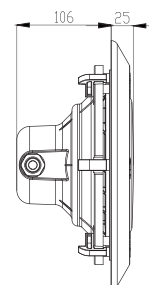
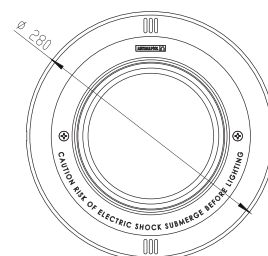





Power pack supplied with PAR56 DC spotlights and white lamps.



PAR56 spotlights have been developed to obtain top energy efficiency in pools in which a good and even distribution of light is required.

White light spotlights substantially improve the light in your pool and will drastically reduce power consumption. They may be installed in any underwater spotlight that contains a PAR56 lamp.



White faceplate	WHITE - DC		RGB 	
Version	V1 	V2 	V1	V2
Code	67519	67522	56003	45619
Consumption	14W (14 VA)	32 W (32 VA)	27 W (37 VA)	48 W (64 VA)
Luminous flux	1485 lm	4320 lm	1100 lm	2544 lm
Colors on request	Red, Green, Blue, Neutral White, Warm White			

Control systems

The RGB model is compatible with LumiPlus Eco, the LumiPlus LED app and LumiPlus Modbus Fluidra Connect.

Tips: To correctly light a pool it is advisable to install a LumiPlus PAR56 V1 for every 20 m² of water surface and for every 25 m² in the case of the V2 version. Spotlights without niche; for full spotlight assembly select a suitable niche. Must always be submerged in water. *There is also a version with a global mount (compatible with salt water) and stainless steel faceplates. LumiPlus DC PAR56 lamps do not require a change in the existing wiring of your pool, because they are powered by two wires, like the PAR56 halogen lamp. PAR56 spotlights come in a version completely made of stainless steel.


*Resistant to salt water. Check version.

LAMP

LumiPlus PAR56

The efficient solution



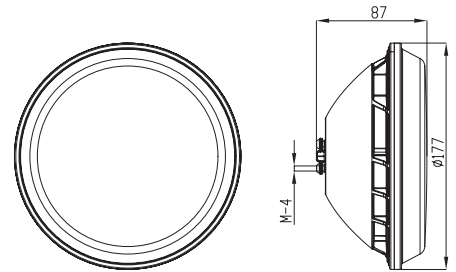
 Power pack supplied with PAR 56 DC spotlights and white lamps.






LumiPlus lamps deliver a lighting performance up to three times higher and greater energy efficiency than those currently available in the market.


Their enhanced luminous flux and optical efficiency will bring out the best in any facility.

Thanks to their technology, light can be evenly distributed across a pool. LED white light lamps are ideal for replacing PAR56 300 W halogen lamps as they save over 90% in power consumption and have a service life of up to 100 times longer than a PAR56 halogen lamp.



	WHITE - DC		RGB 	
Version	V1 	V2 	V1	V2
Code	67515	67516	56001	43411
Consumption	14W (14 VA)	32 W (32 VA)	27 W (37 VA)	48 W (64 VA)
Luminous flux	1485 lm	4320 lm	1100 lm	2544 lm
Colors on request	Red, Green, Blue, Neutral White, Warm White			

How to change your lamp Scan the QR code and follow the instructions.



Control systems
The RGB model is compatible with LumiPlus Eco, LumiPlus Wireless, the LumiPlus LED app and LumiPlus Modbus Fluidra Connect.

Tips: To correctly light a pool it is advisable to install a LumiPlus PAR56 V1 for every 20 m² of water surface and for every 25 m² in the case of the V2 version. The lamps do not include a cable. Must always be submerged in water.

*Resistant to salt water.

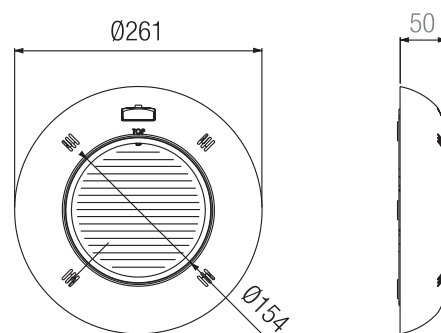
SPOTLIGHT

LumiPlus S-LIM

Versatility



The S-LIM spotlight has small LEDs and a flat front that gives a better light distribution in a pool. The RGB lamps in this new range reduce power consumption by 40% in comparison with the previous range.



Concrete pool and white faceplate*	WHITE 		RGB  	
	V1	V2	V1	V2
Version	V1	V2	V1	V2
Code	56030	56018	56022	56010
Consumption	16 W (24 VA)	58 W (60 VA)	27 W (37 VA)	48 W (64 VA)
Luminous flux	1485 lm	4320 lm	1100 lm	2544 lm
Colors on request	Red, Green, Blue, Neutral White, Warm White			

Control systems

The RGB model is compatible with LumiPlus Eco, LumiPlus Wireless, the LumiPlus LED app and LumiPlus Modbus Fluidra Connect.

Tips: To correctly light a pool it is advisable to install a lamp from the LumiPlus range for every 20 m² of water surface. Strongly recommended for pools in light colors. In pools with a dark or stainless steel finish, it is recommended to use more spotlights per m². Must always be submerged in water. *There is also a version for prefabricated pools with a stainless steel faceplate.

*Resistant to salt water. Check version.

SPOTLIGHT

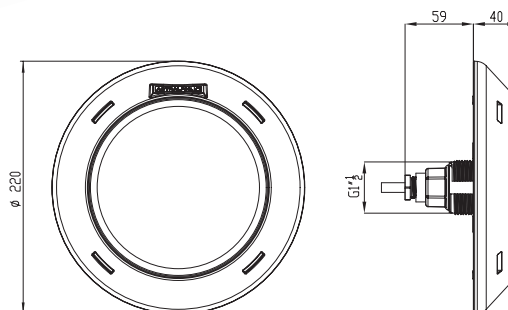
LumiPlus Rapid




Easy to install



LED lighting for polyester, concrete and panel pools with liner. Suitable for installation in many types of pool.

Easy to install and connect using fast-on terminals. Highly reliable thanks to the internal seals that prevent any power failures due to a wrongly wired cable or the handling of the internal components.



Prefabricated and liner pools	WHITE 	RGB  
Code	64339	64340
Consumption	16W (24 VA)	27 W (37 VA)
Luminous flux	1485 lm	1100 lm
Colors on request	Red, Green, Blue, Neutral White, Warm White	

Control systems

The RGB model is compatible with LumiPlus Eco, LumiPlus Wireless, RGB TOP, the LumiPlus LED app and LumiPlus Modbus Fluidra Connect.

Tips: To correctly light a pool it is advisable to install a lamp from the LumiPlus range for every 20 m² of water surface. Strongly recommended for pools in light colors. In pools with a dark or stainless steel finish, it is recommended to use more spotlights per m². Must always be submerged in water. *There is also a version for concrete pools.

*Resistant to salt water.

SPOTLIGHT

ASTRALPOOL 

LumiPlus Mini and Micro

Ideal for small spaces.



New range of mini and micro LED spotlights with greater light intensity, of higher quality and better energy efficiency.

Their design now makes for a more seamless fit in pools and they are easier to install than ever before.

Suitable for installation in bushings, connector inlets, niches and spas.

**Resistant to salt water. Check version.*

Control systems

LumiPlus

LumiPlus RGB Eco

The pushbuttons on this device control the color changes and sequences of LumiPlus spotlights. There is a range of 7 colors and 7 color sequences.

Maximum power input of 700 VA.

It should be connected to the transformer's primary winding with an output of 230 V AC.

→ **Article 32458** *LumiPlus RGB N/C switch*



LumiPlus Control Motion

This device is only compatible with LumiPlus wireless spotlights. It is able to turn the wireless spotlights on and off, change their colors and sequences, and select the speed of the sequences.

In addition, it is sensitive to movement so that if the LumiPlus Motion Control is moved vertically the color can be changed and if moved horizontally the sequence can be changed.

→ **Article 59125** *LumiPlus Control Motion*



LumiPlus LED app

This app enables the LumiPlus modulator to be operated from a smartphone or tablet.

It can be used to switch the spotlights on and off, change their colors and the speed of sequences, as well as to set the time for putting the spotlights in sleep mode. It has a range of 12 colors and 8 sequences of color changes.

The LumiPlus LED app should only be installed as an additional feature to the LumiPlus modulator.

→ **Article 59131** *LumiPlus Wi-Fi access point*

→ **Article 59132** *LumiPlus Wi-Fi access point modulator*

Compatible with Android and iOS.



Fluidra Connect

Comprehensive solution for the control of all pool settings wherever you are

FLUIDRA



For further information:
www.astralpool.com

FLUIDRA S.A.
www.fluidra.com